

CITY OF NORTH LITTLE ROCK, ARKANSAS
COMMERCE DEPARTMENT
Mary Beth Bowman, Director
Amy Smith, Assistant Director for Procurement
Crystal Willis, Admin. Sect. /Asst. Purchasing Agent



120 MAIN STREET
P.O. BOX 5757
NORTH LITTLE ROCK, AR 72119
501-975-8881 Phone
501-975-8885 Fax

INVITATION TO BID

Bid Number : _____ 15-3367 _____ Date Issued: _____ November 10, 2015 _____

Date & Time Bid Opening: _____ Tuesday, December 1, 2015 at 10:00 a.m. _____

2016 STREET AND SECURITY LIGHTING FOR THE NORTH LITTLE ROCK ELECTRIC DEPARTMENT

Specifications are attached.

Any questions regarding the bid should be directed to

- Karen Allen at 501-992-4058
- Jimmy Crowley at 501-992-4046

- Quantities shown are estimates based on an average yearly usage; these may vary depending on demand.
- Vendor is required to keep 25% in stock of the estimated quantity with a maximum of ten (10) days shipping/delivery availability.
- Vendor must identify specific items which require more than ten (10) days delivery time.
- Vendor is required to have a Central Arkansas warehouse location for essential items.
- Vendor should provide all contact information for ordering purposes.
- Vendor must note "N" means no substitution where specified; "EM" means exact match or equivalent to.

NOTE: FAILURE TO FILL OUT AND SIGN THE INVITATION TO BID SHEET WILL RESULT IN REJECTION OF THE BID.

EXECUTION OF BID

Upon signing this Bid, the bidder certifies that they have read and agree to the requirements set forth in this bid, including specifications, conditions and pertinent information regarding the articles being bid on, and agree to furnish these articles at the prices stated.

NAME OF FIRM: _____ DATE: _____

PHONE NUMBER: _____ AR TAX PERMIT NO. _____

BUSINESS ADDRESS: _____

SIGNATURE OF AUTHORIZED PERSON &
TITLE: _____

UNSIGNED BIDS WILL BE REJECTED




NORTH LITTLE ROCK ELECTRIC DEPARTMENT

2016 STREET & SECURITY LIGHTING MATERIAL LIST

ITEM NO	Description	MFR	MFG NO	SUB	EST AVG QTY	UOM	UNIT PRICE	NOTATIONS/COMMENTS
XAT00002	ARM, MAST 2" x 29" (FLOOD LIGHT BRACKET)				100	EACH		
XAT0008S	ARM, MAST 2" x 8'				75	EACH		
XCC30240	COIL, CLOSING 30A 240V			N	15	EACH		
XCC60120	COIL, CLOSING 60A 120V			N	15	EACH		
XCGPSD2P	CONTACTOR, GENERAL PURPOSE 2 POLE			N	10	EACH		
XCISD123	CONTACTOR, INDUSTRIAL 120V 30A			N	10	EACH		
XCISD246	CONTACTOR, INDUSTRIAL 240V 60A			N	10	EACH		
XFB0TL30	FUSE, TL-30A EDISON BASE SCREW TYPE				200	EACH		
XFC00015	FUSE, BAF 15A 250V MIDGET				200	EACH		
XFC00030	FUSE, BAF 30A 250V MIDGET				60	EACH		
XFCNR30	FUSE, FRNR 30A 120V (NON-RENEWABLE CART. TYPE)				100	EACH		
XFCNR60	FUSE, FRNR 60A 250V (NON-RENEWABLE CART. TYPE)				100	EACH		
XFCREN60	FUSE, REN 60A 250V (RENEWABLE CART. TYPE)				60	EACH		
XFH00030	FUSEHOLDER, HEB-AB TRON IN-LINE				200	EACH		
XFH25030	FUSEHOLDER, 250V - 30A			N	10	EACH		
XFH25060	FUSEHOLDER, 250V - 60A			N	10	EACH		
XFL25MH	FLOODLIGHT, 250W MH (MULTI-VOLT)				30	EACH		

ITEM NO	Description	MFR	MFG NO	SUB	EST AVG QTY	UOM	UNIT PRICE	NOTATIONS/COMMENTS
XFL40HPS	FLOODLIGHT, 400W HPS (MULTI-VOLT)				30	EACH		
XFL40MH	FLOODLIGHT, 400W MH (MULTI-VOLT)				30	EACH		
XLA100HPS	LAMP, 1000W HPS (LU1000)				200	EACH		
XLA100MH	LAMP, 1000/U MH				300	EACH		
XLA10HPS	LAMP, 100W HPS S-54				50	EACH		
XLA10MH	LAMP, 100/U MH MEDIUM BASE				200	EACH		
XLA150MH	LAMP, 150W MH				1,200	EACH		
XLA15HPS	LAMP, 150W /55W S-55				500	EACH		
XLA20HPS	LAMP, 200W HPS S-66				25	EACH		
XLA25HPS	LAMP, 250W HPS S-50				50	EACH		
XLA25MH	LAMP, 250W MH				50	EACH		
XLA32MH	LAMP MS320P/S MH				60	EACH		
XLA40HPS	LAMP, 400W HPS S-51				250	EACH		
XLA40MH	LAMP, 400W MH				120	EACH		
XLUCOB15MH	LUMINAIRE, 150W MH COBRA (FLAT GLASS)				750	EACH		
XLUCOB25H	LUMINAIRE, 250W MH COBRA (FLAT GLASS) W/MULTI-VOLT BALLAST				20	EACH		
XLUCOB40H	LUMINAIRE, 400W MH COBRA (FLAT GLASS) 480V ONLY				75	EACH		

ITEM NO	Description	MFR	MFG NO	SUB	EST AVG QTY	UOM	UNIT PRICE	NOTATIONS/COMMENTS
XLUGRSM	REFRACTOR, GLASS (SMALL COBRA) FLAT				50	EACH		
XLUNW15A	LUMINAIRE, 150W HPS NW ASSY				60	EACH		
XLUNW15H	LUMINAIRE, 150W HPS NW HEAD 2"				250	EACH		
XLUNW40MH	LUMINAIRE 400W MH BIA N/W				40	EACH		
XNWREFR	REFRACTOR, NW (AE #11-5-6)				100	EACH		
XPD00001	POLE ACCESSORIES - BASE, SCREW-IN				15	EACH		
XPD00002	POLE ACCESSORIES - REPAIR KIT, X-BASE FIELD (HAPCO)				60	EACH		
XPD00003	POLES ACCESSORIES -BASE, TRANSFORMER				20	EACH		
XPD00025	POLE, AL 25' (FOR RESIDENTIAL) SGL ARM				50	EACH		
XPD00030	POLE, AL 30' SGL BRK (25'8")				120	EACH		
XPEDCTL	CONTROLS, PE DUAL VOLTAGE (105-305V, 50-60HZ)				1,500	EACH		
XPEPLUG	CAP, SHORTING RIPLEY				500	EACH		
XPESOCK	SOCKET, PE CONTROL PRECISION #M2A				100	EACH		
Instructions for vendors:								
Provide Manufacturer and Part number in space provided. (Refer to Reference List for current year data)								

ITEM NO	Description	MFR	MFG NO	SUB	EST AVG QTY	UOM	UNIT PRICE	NOTATIONS/COMMENTS
Use the "Notations/Comments" section for any additional information necessary.								
Please provide where possible box/carton/case quantities.								
<p>SPECIAL NOTES</p> <p>THE FOLLOWING HIGH-PRESSURE SODIUM (HPS) LAMPS SHALL BE LUMALUX PLUS/ECO NON-CYCLING AND SHALL CONTAIN UP TO 90% LESS MERCURY THAN A STANDARD HIGH-PRESSURE SODIUM LAMP. THESE LAMPS SHALL INCLUDE A WELDED, LEAD-FREE BRASS MOGUL BASE AND REMAIN OFF AT THE END OF THEIR LIFE:</p>								
	LU 100 LU150/55 LU 200 LU 250 LU 400							
	ALL LAMP BASES WILL BE MOGUL, UNLESS OTHERWISE SPECIFIED.							
	ALL FLOODLIGHTS SHALL HAVE A P.E. RECEPTACLE, A MULTI-VOLT BALLAST, A TWO (2) POSITION TERMINAL BLOCK, AND A 0.99" (22mm) HOLE IN THE TRUNNION. WIRE INSTALLED IN TERMINAL BLOCK							
	NIGHTWATCHER REFRACTORS MUST BE PACKAGED INDIVIDUALLY							
	PLEASE NOTE: ALL COBRA HEAD FIXTURES MUST BE FLAT GLASS							



NORTH LITTLE ROCK ELECTRIC DEPARTMENT

2016 STREET & SECURITY LIGHTING MATERIAL LIST

VENDOR REFERENCE GUIDE

2016 NLRED STREET AND SECURITY LIGHTING MATERIAL

ITEM NO	Description	MFR	MFG NO
XAT00002	ARM, MAST 2" x 29" (FLOOD LIGHT BRACKET)		AMI-462
XAT0008S	ARM, MAST 2" x 8'		
XCC30240	COIL, CLOSING 30A 240V		
XCC60120	COIL, CLOSING 60A 120V	GE	15D22G002 60A 120V
XCGPSD2P	CONTACTOR, GENERAL PURPOSE 2 POLE	SQUARE D	8910DP32V09
XCISD123	CONTACTOR, INDUSTRIAL 120V 30A	SQUARE D	8903SMO2V02
XCISD246	CONTACTOR, INDUSTRIAL 240V 60A	SQUARE D	8903SMO2V03
XFB0TL30	FUSE, TL-30A EDISON BASE SCREW TYPE	MERSEN	GTL30
XFC00015	FUSE, BAF 15A 250V MIDGET	BUSSMAN OR LITTLETON	BAF-15
XFC00030	FUSE, BAF 30A 250V MIDGET	BUSSMAN OR LITTLETON	BAF-30
XFCNR30	FUSE, FRNR 30A 120V (NON-RENEWABLE CART. TYPE)	BUSSMAN OR LITTLETON	FRN-R-30
XFCNR60	FUSE, FRNR 60A 250V (NON-RENEWABLE CART. TYPE)	BUSSMAN OR LITTLETON	FRN-R-60
XFCREN60	FUSE, REN 60A 250V (RENEWABLE CART. TYPE)	BUSSMAN OR LITTLETON	REN-60
XFH00030	FUSEHOLDER, HEB-AB TRON IN-LINE	BUSSMAN OR MERSEN	HEB-AB / FEB-11-11
XFH25030	FUSEHOLDER, 250V - 30A	BUSS	H25030-2C
XFH25060	FUSEHOLDER, 250V - 60A	BUSS	H25060-2C
XFL250MH	FLOODLIGHT, 250W MH (MULTI-VOLT)		
XFL40HPS	FLOODLIGHT, 400W HPS (MULTI-VOLT)	AMERICAN ELECTRIC 750H14A2	7540SCAMT176TB0443
XFL40MH	FLOODLIGHT, 400W MH (MULTI-VOLT)	COOPER	CFB40PWW76BZ4
XLA100HPS	LAMP, 1000W HPS (LU1000)	SYLVANIA	67307
XLA100MH	LAMP, 1000/U MH		
XLA10HPS	LAMP, 100W HPS S-54		
XLA10MH	LAMP, 100/U MH MEDIUM BASE	SYLVANIA	64468
XLA150MH	LAMP, 150W MH		MS-150-MGL
XLA15HPS	LAMP, 150W /55W S-55		
XLA20HPS	LAMP, 200W HPS S-66		
XLA25HPS	LAMP, 250W HPS S-50		
XLA25MH	LAMP, 250W MH		
XLA32MH	LAMP MS320P/S MH		
XLA40HPS	LAMP, 400W HPS S-51		

2016 NLRED STREET AND SECURITY LIGHTING MATERIAL

ITEM NO	Description	MFR	MFG NO
XLA40MH	LAMP, 400W MH	SYLVANIA	64490
XLUCOB15MH	LUMINAIRE, 150W MH COBRA (FLAT GLASS)	GE	11515MXHMT1R3FG
XLUCOB25H	LUMINAIRE, 250W MH COBRA (FLAT GLASS) W/MULTI-VOLT BALLAST		
XLUCOB40H	LUMINAIRE, 400W MH COBRA (FLAT GLASS)	GE	12540MSCMAT1R3FG
XLUGRSM	REFRACTOR, GLASS (SMALL COBRA) FLAT		
XLUNW15A	LUMINAIRE, 150W HPS NW ASSY	AMERICAN ELECTRIC	11PKG15SRN120R5BAECDPC
XLUNW15H	LUMINAIRE, 150W HPS NW HEAD 2"	AMERICAN ELECTRIC	1115SRN120ROLOH2
XLUNW40MH	LUMINAIRE 400W MH BIA N/W	GE	16540MSCMTY1R5BALCPC
XNWREFR	REFRACTOR, NW (AE #11-5-6)	AMERICAN ELECTRIC	RK-11-R5-BA
XPD00001	POLE ACCESSORIES - BASE, SCREW-IN	CHANCE	11242NG4VP
XPD00002	POLE ACCESSORIES - REPAIR KIT, X-BASE FIELD	HAPCO	74000
XPD00003	POLES ACCESSORIES -BASE, TRANSFORMER	HAPCO	70501
XPD00025	POLE, AL 25' (FOR RESIDENTIAL) SGL ARM	VALMONT	See attached specifications
XPD00030	POLE, AL 30' SGL BRK (25'8")	HAPCO	73339-001
XPEDCTL	CONTROLS, PE DUAL VOLTAGE (105-305V, 50-60HZ)	SUN TECH	SX124-1.5-STM
XPEPLUG	CAP, SHORTING RIPLEY	RIPLEY	BLACK COVER 6005
XPESOCK	SOCKET, PE CONTROL PRECISION #M2A	PRECISION	M2A
SPECIAL NOTES	<p>THE FOLLOWING HIGH-PRESSURE SODIUM (HPS) LAMPS SHALL BE LUMALUX PLUS/ECO NON-CYCLING AND SHALL CONTAIN UP TO 90% LESS MERCURY THAN A STANDARD HIGH-PRESSURE SODIUM LAMP. THESE LAMPS SHALL INCLUDE A WELDED, LEAD-FREE BRASS MOGUL BASE AND REMAIN OFF AT THE END OF THEIR LIFE:</p> <p>LU 100 LU150/55 LU 200 LU 250 LU 400</p> <p>ALL LAMP BASES WILL BE MOGUL, UNLESS OTHERWISE SPECIFIED.</p> <p>ALL FLOODLIGHTS SHALL HAVE A P.E. RECEPTACLE, A MULTI-VOLT BALLAST, A TWO (2) POSOTION TERMINAL BLOCK, AND A 0.99" (22mm) HOLE IN THE TRUNNION. WIRE INSTALLED IN TERMINAL BLOCK</p> <p>ALL H.I.D. TYPE LUMINAIRES AND REPLACEMENT KIT BALLAST MUST BE OF THE 4-TAP (120V, 208V, 240V, AND 277V) DESIGN WITH EACH INPUT VOLTAGE LEAD CLEARLY MARKED CORRESPONDING WITH THE PRIMARY COIL.</p> <p>NIGHTWATCHER REFRACTORS MUST BE PACKAGED INDIVIDUALLY</p> <p>PLEASE NOTE: ALL COBRA HEAD FIXTURES MUST BE FLAT GLASS</p>		



NORTH LITTLE ROCK ELECTRIC DEPARTMENT

2016 STREET & SECURITY LIGHTING MATERIAL LIST

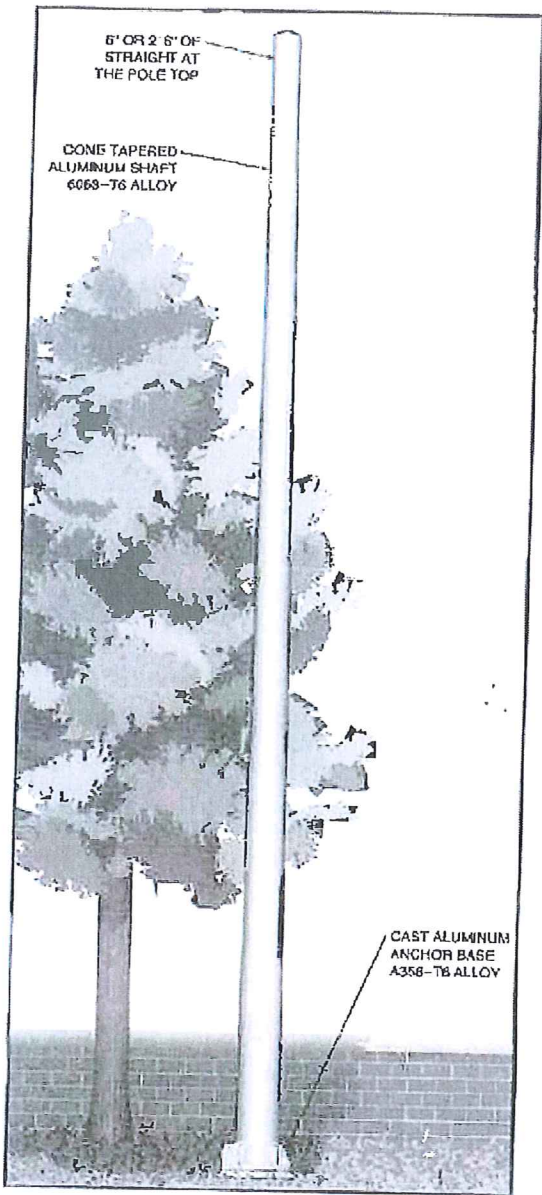
MATERIAL ITEM SPECIFICATIONS

The attached drawings detail the specifications for the NLR Electric Department Street Light Poles & Mast Arms.

NLRED STOCK ITEMS:

XPD00025	POLE, AL 25' (FOR RESIDENTIAL) SGL ARM
XPD00030	POLE, ALUMINUM 30' SGL ARM (25'8")

20' TO 28' ROUND TAPERED 4-BOLT ANCHOR BASE POLES



- 20' to 28' mounting heights.
- For single or multiple luminaire mounting.
- Luminaires may be mounted on tenons, brackets or shaft may be drilled to manufacturer's mounting specifications.

SPECIFICATIONS

All aluminum alloys shall comply with metallurgical and mechanical properties set forth in the Aluminum Association Standards.

Shaft: The shaft shall be spun tapered from all new seamless 6063 alloy aluminum and shall be heat treated to produce a T6 temper. Each shaft shall have a minimum 6" long straight section at the top to accommodate the center hub of the appropriate Valmont flood light bracket or tapered arm. Alternatively, the straight section may be drilled for mounting luminaires. All Valmont shafts shall be polished with fine grain aluminum oxide cloths, resulting in a high quality, circumferential satin brushed finish. After finishing each pole shall be fully wrapped with neutral PH kinkle/kraft paper for protection in shipment.

Anchor Base: The anchor base is cast from A356 alloy aluminum. The anchor base casting and shaft shall be joined by a continuous circumferential weld at the inside bottom of the anchor base. The completed assembly will be heat treated to T6 temper after all structural welding is completed. A356 alloy aluminum nut covers shall be included with each anchor base unless otherwise specified.

Handholes: All poles include a peripherally reinforced flush covered handhole centered 18" above the bottom of the pole. The opening in the 5" and 6" diameter pole shall measure 3" x 5". The opening in the 7", 8" and 10" diameter pole shall measure 4" x 6". An optional 4" x 8" opening is available for 8" and 10" diameter poles.

Anchor Bolts: Each pole shall include: (4) steel hot dip galvanized anchor bolts each with (2) nuts and (2) flat washers sized to match the anchor bolts.

Special Finishes: Natural anodize, duranodic, or painted finishes may be specified as an addition to the satin brushed finish, if required. All aluminum parts and accessories shall receive a finish similar to that specified.

CATALOG LOGIC

FEET AND INCHES		TOP DIAMETER	BASE DIAMETER	WALL THICKNESS	SHAPE OF SHAFT	BASE OR MOUNTING	FIXTURE MOUNTING	FINISHES	OPTIONS
_____		_____	_____	_____	T	4	_____	_____	_____
FEET AND INCHES*	TOP DIAMETER IN INCHES	WALL* THICKNESS IN 32NDS OF AN INCH		SHAPE OF SHAFT	FIXTURE MOUNTING		FINISHES		
1908 = 20' 2208 = 23' 2408 = 25' 2708 = 28'	30 = 3" 40 = 4" 45 = 4-1/2" 60 = 6"	4 = 4/32" or 0.125" Wall 5 = 5/32" or 0.156" Wall 6 = 6/32" or 0.188" Wall 8 = 8/32" or 0.250" Wall		T = Round Tapered	D1 = 1 @ 90° D2 = 2 @ 180° D3 = 3 @ 120° D4 = 4 @ 90° D5 = 2 @ 90° D6 = 3 @ 90° P2 = 2.3/8" x 4 Tenon P9 = Other Tenon <small>*Please Spc. if</small>		POLYESTER POWDER DBL = Black DMB = Med Bronze DSS = Sandstone DBR = Bright Red DNA = Natural Alum DTG = Dark Green DCG = Charcoal Gray DSB = Steel Blue DWH = White DDB = Dark Bronze ANODIZED 204 = Clear Natural 313 = Dark Bronze* BRUSHED 311 = Light Bronze* 335 = Black* SBF = Satin Brushed Finish 312 = Med Bronze* *Duranodic Anodize		
BASE DIAMETER* IN INCHES		SHAPE OF SHAFT		BASE OR MOUNTING		OPTIONS			
50 = 5" 80 = 8" 60 = 6" 10 = 10" 70 = 7"		T = Round Tapered		4 = 4-Bolt Anchor Base		See Accessory Section			

*For available Base Diameter, Wall Thickness and Length Combinations see Dimensional Load Data Table that follows

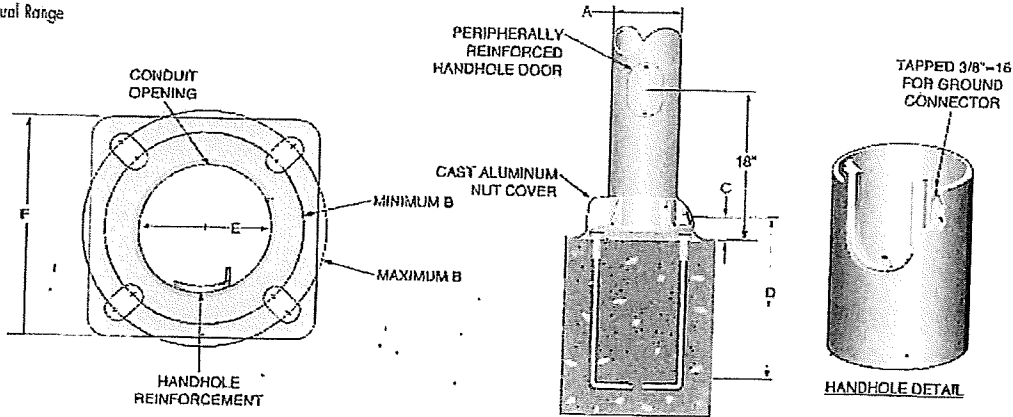
**20' TO 28' ROUND TAPERED
4-BOLT ANCHOR BASE POLES**



ANCHOR BASE AND BOLT DETAIL

A	B	C	D	E	F
POLE DIAMETER	BOLT CIRCLE	BOLT PROJECTION	BOLT SIZE	CONDUIT OPENING	BASE SIZE
5"	7-1/2" - 9-1/2"	3-1/4"	3/4" x 17"	4-1/2"	9-1/4"
6"	8-3/4" - 10-1/4"	3-1/2"	3/4" x 17"	5-1/2"	10-1/4"
7"	9-7/8" - 11-1/4"	4-1/8"	1" x 36"	6-1/2"	10-5/8"
8"	11" - 12-1/8"	4-1/4"	1" x 36"	7-1/2"	11-5/8"
10"	14-1/2"	4-1/2"	1" x 36"	9-1/2"	14-1/2"
*10"	14-1/2"	5"	1-1/4" x 42"	9-1/2"	14-1/2"

* 0.250" Wall or Larger
10" Base Bolt Circles Have ± Tolerances
Contact Factory for Actual Range



DIMENSIONAL AND LOAD DATA

TYPICAL WEIGHT AND ALLOWABLE SIZE OF LUMINAIRE*							DIMENSIONS OF POLES				
NOMINAL MOUNTING HEIGHT	TYPICAL LUMINAIRE WEIGHT (LBS.)	EFFECTIVE PROJECTED AREA IN SQUARE FEET AT:					POLE HEIGHT	TOP	BASE	WALL	MODEL NUMBER**
		70 MPH	80 MPH	90 MPH	100 MPH	110 MPH					
20'	150	7.1	4.6	2.9	1.9	1.2	19'8"	3'	5"	.125"	1908 - 30504T4
20'	150	9.8	6.6	4.6	3.2	2.2	19'8"	3'	5"	.156"	1908 - 30505T4
20'	150	12.5	8.7	6.1	4.5	3.3	19'8"	3'	5"	.188"	1908 - 30506T4
20'	150	15.9	11.3	8.4	6.6	5.2	19'8"	4'	6"	.156"	1908 - 40605T4
20'	150	19.9	14.4	10.8	8.5	6.8	19'8"	4'	6"	.188"	1908 - 40606T4
20'	150	23.9	17.6	13.4	10.6	8.6	19'8"	4'	7"	.156"	1908 - 40705T4
23'	150	11.8	8.0	5.6	4.4	3.3	22'8"	4'	6"	.156"	2208 - 40605T4
23'	150	14.2	10.6	7.8	6.0	4.7	22'8"	4'	6"	.188"	2208 - 40606T4
23'	150	17.7	13.4	10.0	7.8	6.2	22'8"	4'	7"	.156"	2208 - 40705T4
23'	150	26.5	19.5	15.1	11.9	9.5	22'8"	4.5'	8"	.156"	2208 - 45805T4
23'	150	32.8	24.4	18.8	15.1	12.1	22'8"	4.5'	8"	.188"	2208 - 45806T4
25'	150	9.5	6.2	4.2	3.1	2.4	24'8"	4'	6"	.156"	+2408 - 40605T4
25'	150	12.7	8.6	6.1	4.6	3.5	24'8"	4'	6"	.188"	2408 - 40606T4
25'	150	15.8	11.2	8.2	6.4	4.9	24'8"	4'	7"	.156"	2408 - 40705T4
25'	150	22.8	16.7	12.8	10.0	8.0	24'8"	4.5'	8"	.156"	2408 - 45805T4
25'	150	28.5	21.2	16.2	12.8	10.4	24'8"	4.5'	8"	.188"	2408 - 45806T4
28'	150	12.0	8.1	5.8	4.2	3.3	27'8"	4'	7"	.156"	+2708 - 40705T4
28'	150	18.2	13.1	9.9	7.6	6.0	27'8"	4.5'	8"	.156"	2708 - 45805T4
28'	150	23.2	16.9	12.9	10.1	8.0	27'8"	4.5'	8"	.188"	2708 - 45806T4
28'	150	32.6	24.1	18.6	14.7	11.8	27'8"	4.5'	8"	.250"	2708 - 45808T4
28'	200	41.6	31.3	24.2	19.2	15.3	27'8"	6'	10"	.188"	2708 - 60106T4
28'	300	56.2	42.6	33.2	26.4	21.2	27'8"	6'	10"	.250"	2708 - 60108T4

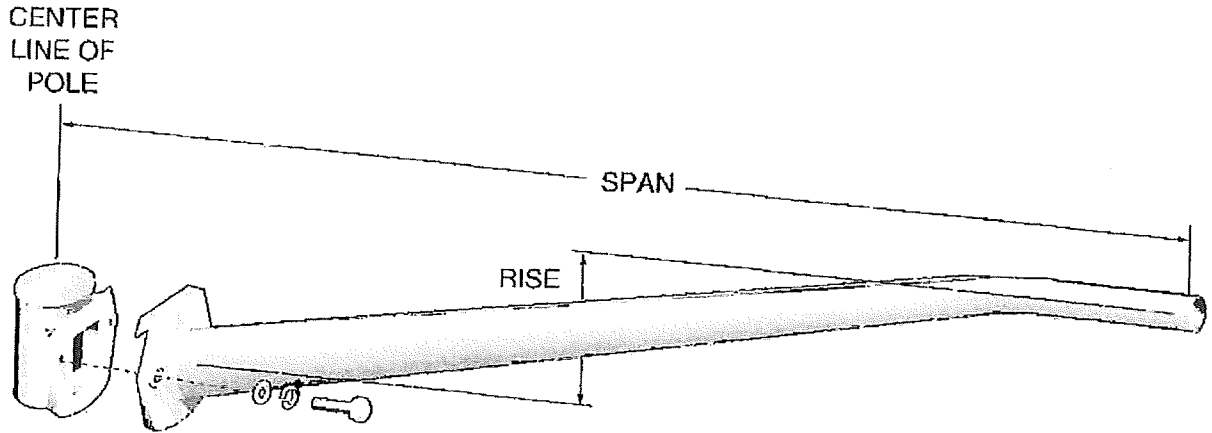
SEE SECTIONS 7 AND 8 FOR MOUNTING ARMS ON POLES.

* EPA calculations are based on a 1.3 Gust Factor. Variations from sizes listed above, available upon inquiry at the factory. Safe factory performance of lighting poles is dependent upon the pole being properly attached to a supporting foundation of adequate design. Valmont does not design or offer recommendations for foundations.

** Model number does not include mounting options or finish designation.

+ Pole includes factory installed vibration dampener.

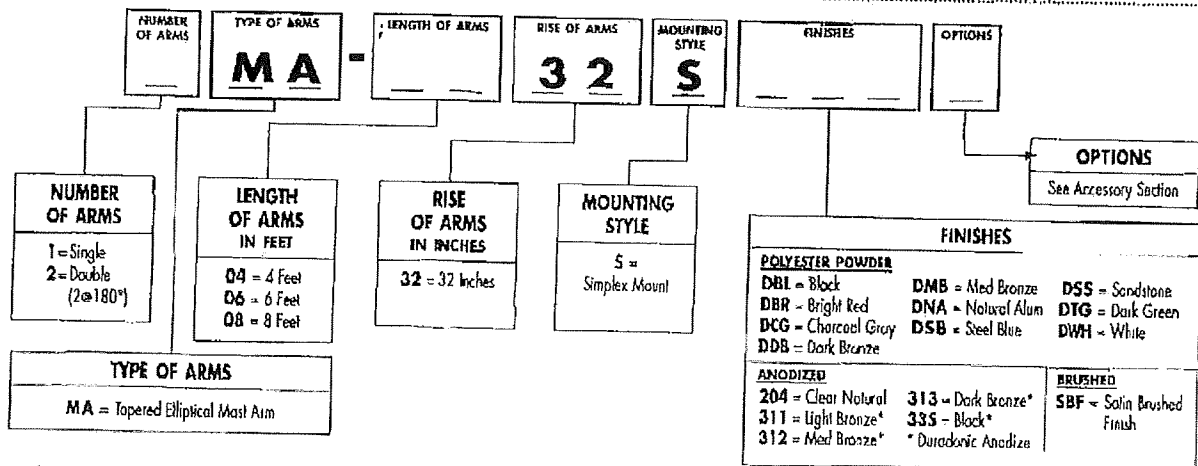
SPC2008 05/02 - This spec supersedes all previous publications.

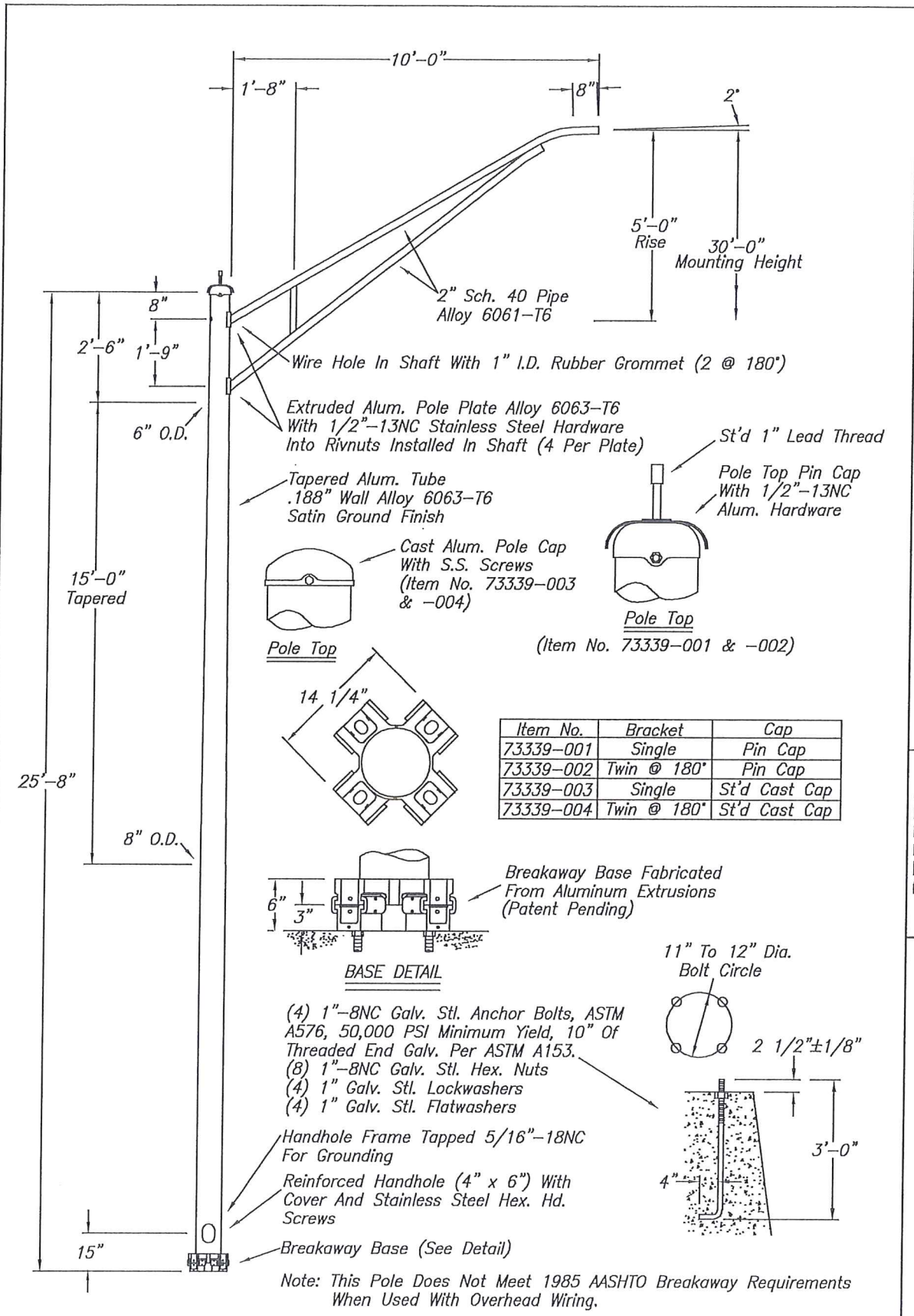


SIMPLEX MOUNT SPECIFICATIONS

- The mast arm is conically tapered from 3-1/2" O.D. x .125" wall 6063 alloy extruded aluminum tube to 2-3/8" O.D. (2" pipe size) at the luminaire end. The tapered tube is elliptical with the long axis oriented vertically. The arm is joined to the attachment system by a continuous circumferential weld. Each arm is heat treated after welding to produce a T6 temper. All arms are etched to create a satin finish. A 1-5/8" O.D. (1-1/4" pipe size) cast aluminum tenon may be installed in the luminaire end of the arm. Architectural finishes available are: paint, duranodic or natural anodized. All arms have a 32" rise. For additional information, contact your Valmont Representative.
- Simplex mounted mast arms are held in place by (2) interlocking aluminum castings. One is welded to the lighting standard and the second one is welded to the mast arm. The connection is secured with (2) series 300 stainless steel 1/2"-13 UNC bolts, washers, and lock washers. Simplex arms fit 4", 4-1/2", and 6" O.D. pole tops. A 1" I.D. rubber grommet is installed in the wireway. Unless otherwise directed, the first mast arm will be 90° to the right of the handhole, the second mast arm will be located 180° from the first.
- The following charts show the maximum allowable fixture EPA for the five wind zones acknowledged by AASHTO. The allowable EPA is based on a fixture weighing 75 pounds unless noted on the chart.
- Alternative arm lengths, rises, and mounting systems are available.

CATALOG LOGIC





Note: This Pole Does Not Meet 1985 AASHTO Breakaway Requirements When Used With Overhead Wiring.

WARNING: DO NOT INSTALL LIGHTING POLES WITHOUT LUMINAIRES

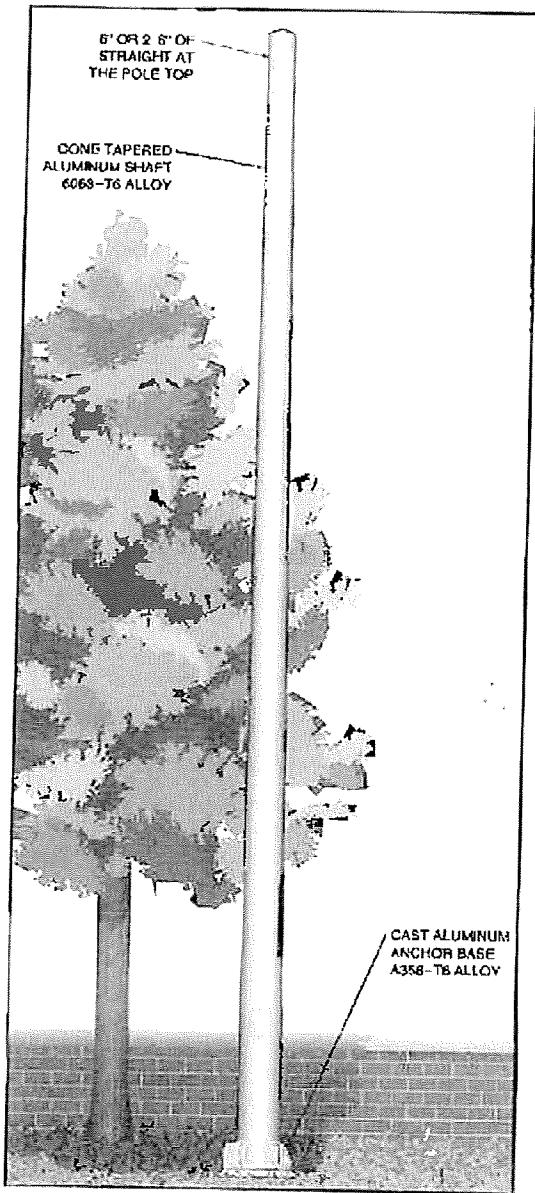
NO.	REVISIONS	DATE
1	Note Added	8-93
2	Was 73486 Base	1-95
3	-003 & -004 Added To Table	6-97
4	Added 2'-6" Straight @ Top Of Shaft	6-97

hapco
Abingdon, Va.

TITLE 30' LIGHTING POLE	
CUSTOMER NORTH LITTLE ROCK, ARK.	
SCALE 3/2	DATE 06/24/1993
BY LW	DWG. NO.
CHK'D	B73339

B73339

**20' TO 28' ROUND TAPERED
4-BOLT ANCHOR BASE POLES**



- 20' to 28' mounting heights.
- For single or multiple luminaire mounting.
- Luminaires may be mounted on tenons, brackets or shaft may be drilled to manufacturer's mounting specifications.

SPECIFICATIONS

All aluminum alloys shall comply with metallurgical and mechanical properties set forth in the Aluminum Association Standards.

Shaft: The shaft shall be spun tapered from all new seamless 6063 alloy aluminum and shall be heat treated to produce a T6 temper. Each shaft shall have a minimum 6" long straight section at the top to accommodate the center hub of the appropriate Valmont flood light bracket or tapered arm. Alternatively, the straight section may be drilled for mounting luminaires. All Valmont shafts shall be polished with fine grain aluminum oxide cloths, resulting in a high quality, circumferential satin brushed finish. After finishing each pole shall be fully wrapped with neutral PH krinkle/kraft paper for protection in shipment.

Anchor Base: The anchor base is cast from A356 alloy aluminum. The anchor base casting and shaft shall be joined by a continuous circumferential weld at the inside bottom of the anchor base. The completed assembly will be heat treated to T6 temper after all structural welding is completed. A356 alloy aluminum nut covers shall be included with each anchor base unless otherwise specified.

Handholes: All poles include a peripherally reinforced flush covered handhole centered 18" above the bottom of the pole. The opening in the 5" and 6" diameter pole shall measure 3" x 5". The opening in the 7", 8" and 10" diameter pole shall measure 4" x 6". An optional 4" x 8" opening is available for 8" and 10" diameter poles.

Anchor Bolts: Each pole shall include: (4) steel hot dip galvanized anchor bolts each with (2) nuts and (2) flat washers sized to match the anchor bolts.

Special Finishes: Natural anodize, duranodic, or painted finishes may be specified as an addition to the satin brushed finish, if required. All aluminum parts and accessories shall receive a finish similar to that specified.

CATALOG LOGIC

FEET AND INCHES		TOP DIAMETER	BASE DIAMETER	WALL THICKNESS	SHAPE OF SHAFT T	BASE OR MOUNTING 4	FIXTURE MOUNTING	FINISHES	OPTIONS																																																													
<table border="1"> <tr><td>1908 = 20'</td></tr> <tr><td>2208 = 23'</td></tr> <tr><td>2408 = 25'</td></tr> <tr><td>2708 = 28'</td></tr> </table>		1908 = 20'	2208 = 23'	2408 = 25'	2708 = 28'	<table border="1"> <tr><td>30 = 3"</td></tr> <tr><td>40 = 4"</td></tr> <tr><td>45 = 4-1/2"</td></tr> <tr><td>60 = 6"</td></tr> </table>	30 = 3"	40 = 4"	45 = 4-1/2"	60 = 6"	<table border="1"> <tr><td>50 = 5"</td></tr> <tr><td>60 = 6"</td></tr> <tr><td>70 = 7"</td></tr> <tr><td>80 = 8"</td></tr> <tr><td>10 = 10"</td></tr> </table>	50 = 5"	60 = 6"	70 = 7"	80 = 8"	10 = 10"	<table border="1"> <tr><td>4 = 4/32" or 0.125" Wall</td></tr> <tr><td>5 = 5/32" or 0.156" Wall</td></tr> <tr><td>6 = 6/32" or 0.188" Wall</td></tr> <tr><td>8 = 8/32" or 0.250" Wall</td></tr> </table>	4 = 4/32" or 0.125" Wall	5 = 5/32" or 0.156" Wall	6 = 6/32" or 0.188" Wall	8 = 8/32" or 0.250" Wall	<table border="1"> <tr><td>T = Round Tapered</td></tr> </table>	T = Round Tapered	<table border="1"> <tr><td>4 = 4-Bolt Anchor Base</td></tr> </table>	4 = 4-Bolt Anchor Base	<table border="1"> <tr><td>D1 = 1 @ 90°</td></tr> <tr><td>D2 = 2 @ 180°</td></tr> <tr><td>D3 = 3 @ 120°</td></tr> <tr><td>D4 = 4 @ 90°</td></tr> <tr><td>D5 = 2 @ 90°</td></tr> <tr><td>D6 = 3 @ 90°</td></tr> <tr><td>P2 = 2-3/8" x 4 Tenon</td></tr> <tr><td>P9 = Other Tenon (Please Spec. Ⓢ)</td></tr> </table>	D1 = 1 @ 90°	D2 = 2 @ 180°	D3 = 3 @ 120°	D4 = 4 @ 90°	D5 = 2 @ 90°	D6 = 3 @ 90°	P2 = 2-3/8" x 4 Tenon	P9 = Other Tenon (Please Spec. Ⓢ)	<table border="1"> <tr><td colspan="3">POLYESTER POWDER</td></tr> <tr><td>DBL = Black</td><td>DMB = Med Bronze</td><td>DSS = Sandstone</td></tr> <tr><td>DBR = Bright Red</td><td>DNA = Natural Alum</td><td>DTG = Dark Green</td></tr> <tr><td>DCG = Charcoal Gray</td><td>DSB = Steel Blue</td><td>DWH = White</td></tr> <tr><td>DDB = Dark Bronze</td><td></td><td></td></tr> <tr><td colspan="3">ANODIZED</td></tr> <tr><td>204 = Clear Natural</td><td>313 = Dark Bronze*</td><td></td></tr> <tr><td>311 = Light Bronze*</td><td>335 = Black*</td><td></td></tr> <tr><td>312 = Med Bronze*</td><td>* Duranodic Anodize</td><td></td></tr> <tr><td colspan="3">BRUSHED</td></tr> <tr><td>SBF = Satin Brushed Finish</td><td></td><td></td></tr> </table>	POLYESTER POWDER			DBL = Black	DMB = Med Bronze	DSS = Sandstone	DBR = Bright Red	DNA = Natural Alum	DTG = Dark Green	DCG = Charcoal Gray	DSB = Steel Blue	DWH = White	DDB = Dark Bronze			ANODIZED			204 = Clear Natural	313 = Dark Bronze*		311 = Light Bronze*	335 = Black*		312 = Med Bronze*	* Duranodic Anodize		BRUSHED			SBF = Satin Brushed Finish			<table border="1"> <tr><td>See Accessory Section</td></tr> </table>	See Accessory Section
1908 = 20'																																																																						
2208 = 23'																																																																						
2408 = 25'																																																																						
2708 = 28'																																																																						
30 = 3"																																																																						
40 = 4"																																																																						
45 = 4-1/2"																																																																						
60 = 6"																																																																						
50 = 5"																																																																						
60 = 6"																																																																						
70 = 7"																																																																						
80 = 8"																																																																						
10 = 10"																																																																						
4 = 4/32" or 0.125" Wall																																																																						
5 = 5/32" or 0.156" Wall																																																																						
6 = 6/32" or 0.188" Wall																																																																						
8 = 8/32" or 0.250" Wall																																																																						
T = Round Tapered																																																																						
4 = 4-Bolt Anchor Base																																																																						
D1 = 1 @ 90°																																																																						
D2 = 2 @ 180°																																																																						
D3 = 3 @ 120°																																																																						
D4 = 4 @ 90°																																																																						
D5 = 2 @ 90°																																																																						
D6 = 3 @ 90°																																																																						
P2 = 2-3/8" x 4 Tenon																																																																						
P9 = Other Tenon (Please Spec. Ⓢ)																																																																						
POLYESTER POWDER																																																																						
DBL = Black	DMB = Med Bronze	DSS = Sandstone																																																																				
DBR = Bright Red	DNA = Natural Alum	DTG = Dark Green																																																																				
DCG = Charcoal Gray	DSB = Steel Blue	DWH = White																																																																				
DDB = Dark Bronze																																																																						
ANODIZED																																																																						
204 = Clear Natural	313 = Dark Bronze*																																																																					
311 = Light Bronze*	335 = Black*																																																																					
312 = Med Bronze*	* Duranodic Anodize																																																																					
BRUSHED																																																																						
SBF = Satin Brushed Finish																																																																						
See Accessory Section																																																																						

*For available Base Diameter, Wall Thickness and Length Combinations see Dimensional Load Data Table that follows

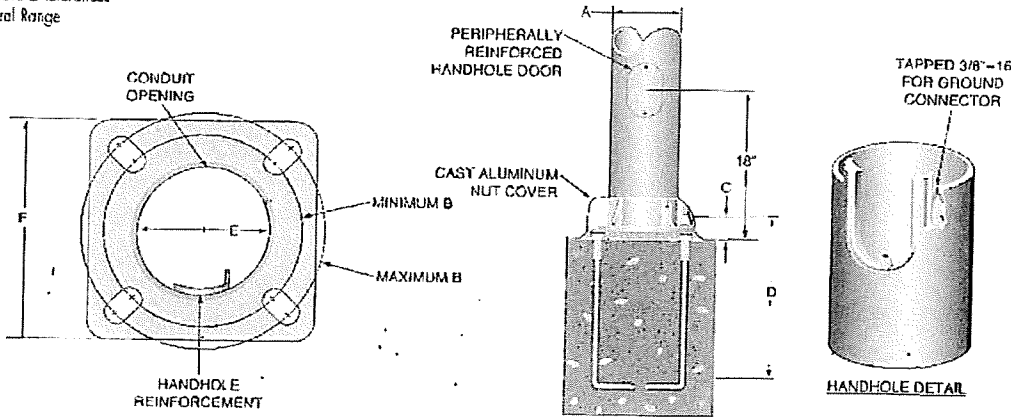
**20' TO 28' ROUND TAPERED
4-BOLT ANCHOR BASE POLES**



ANCHOR BASE AND BOLT DETAIL

A POLE DIAMETER	B BOLT CIRCLE	C BOLT PROJECTION	D BOLT SIZE	E CONDUIT OPENING	F BASE SIZE
5"	7-1/2" - 9 1/2"	3 1/4"	3/4" x 17"	4-1/2"	9-1/4"
6"	8-3/4" - 10-1/4"	3-1/2"	3/4" x 17"	5-1/2"	10-1/4"
7"	9-7/8" - 11-1/4"	4-1/8"	1" x 36"	6-1/2"	10-5/8"
8"	11" - 12-1/8"	4-1/4"	1" x 36"	7-1/2"	11-5/8"
10"	14-1/2"	4-1/2"	1" x 36"	9-1/2"	14-1/2"
*10"	14-1/2"	5"	1-1/4" x 42"	9-1/2"	14-1/2"

* 0.250" Wall or larger
10" Base Bolt Circles Have ± Tolerances
Contact Factory for Actual Range



DIMENSIONAL AND LOAD DATA

TYPICAL WEIGHT AND ALLOWABLE SIZE OF LUMINAIRE*							DIMENSIONS OF POLES				
NOMINAL MOUNTING HEIGHT	TYPICAL LUMINAIRE WEIGHT (LBS.)	EFFECTIVE PROJECTED AREA IN SQUARE FEET AT:					POLE HEIGHT	TOP	BASE	WALL	MODEL NUMBER**
		70 MPH	80 MPH	90 MPH	100 MPH	110 MPH					
20'	150	7.1	4.6	2.9	1.9	1.2	19'8"	3'	5"	.125"	1908 - 30504T4
20'	150	9.8	6.6	4.6	3.2	2.2	19'8"	3'	5"	.156"	1908 - 30505T4
20'	150	12.5	8.7	6.1	4.5	3.3	19'8"	3'	5"	.188"	1908 - 30506T4
20'	150	15.9	11.3	8.4	6.6	5.2	19'8"	4'	6"	.156"	1908 - 40605T4
20'	150	19.9	14.4	10.8	8.5	6.8	19'8"	4'	6"	.188"	1908 - 40606T4
20'	150	23.9	17.6	13.4	10.6	8.6	19'8"	4'	7"	.156"	1908 - 40705T4
23'	150	11.8	8.0	5.6	4.4	3.3	22'8"	4'	6"	.156"	2208 - 40605T4
23'	150	14.2	10.6	7.8	6.0	4.7	22'8"	4'	6"	.188"	2208 - 40606T4
23'	150	17.7	13.4	10.0	7.8	6.2	22'8"	4'	7"	.156"	2208 - 40705T4
23'	150	26.5	19.5	15.1	11.9	9.5	22'8"	4.5'	8"	.156"	2208 - 45805T4
23'	150	32.8	24.4	18.8	15.1	12.1	22'8"	4.5'	8"	.188"	2208 - 45806T4
25'	150	9.5	6.2	4.2	3.1	2.4	24'8"	4'	6"	.156"	+2408 - 40605T4
25'	150	12.7	8.6	6.1	4.6	3.5	24'8"	4'	6"	.188"	2408 - 40606T4
25'	150	15.8	11.2	8.2	6.4	4.9	24'8"	4'	7"	.156"	2408 - 40705T4
25'	150	22.8	16.7	12.8	10.0	8.0	24'8"	4.5'	8"	.156"	2408 - 45805T4
25'	150	28.5	21.2	16.2	12.8	10.4	24'8"	4.5'	8"	.188"	2408 - 45806T4
28'	150	12.0	8.1	5.8	4.2	3.3	27'8"	4'	7"	.156"	+2708 - 40705T4
28'	150	18.2	13.1	9.9	7.6	6.0	27'8"	4.5'	8"	.156"	2708 - 45805T4
28'	150	23.2	16.9	12.9	10.1	8.0	27'8"	4.5'	8"	.188"	2708 - 45806T4
28'	150	32.6	24.1	18.6	14.7	11.8	27'8"	4.5'	8"	.250"	2708 - 45808T4
28'	200	41.6	31.3	24.2	19.2	15.3	27'8"	6'	10"	.188"	2708 - 60106T4
28'	300	56.2	42.6	33.2	26.4	21.2	27'8"	6'	10"	.250"	2708 - 60108T4

SEE SECTIONS 7 AND 8 FOR MOUNTING ARMS ON POLES.

* EPA calculations are based on a 1.3 Gust Factor. Variations from sizes listed above, available upon inquiry at the factory. Satisfactory performance of lighting poles is dependent upon the pole being properly attached to a supporting foundation of adequate design. Valmont does not design or offer recommendations for foundations.

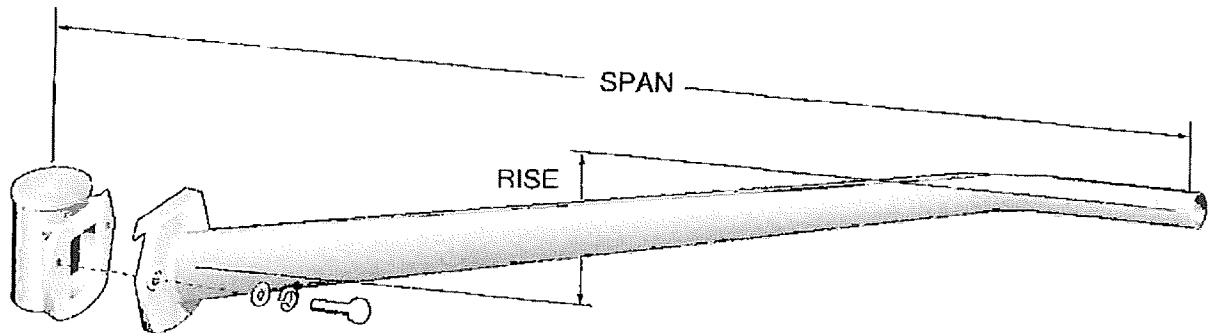
** Model number does not include mounting options or finish designation.

+ Pole includes factory installed vibration dampener.

SFC2009 05/02 - This spec supersedes all previous publications.



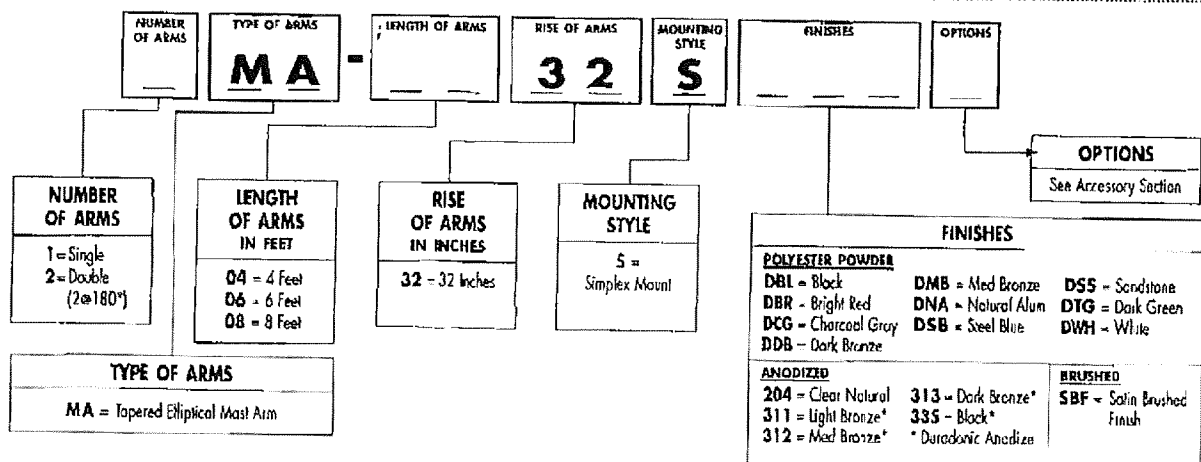
CENTER
LINE OF
POLE

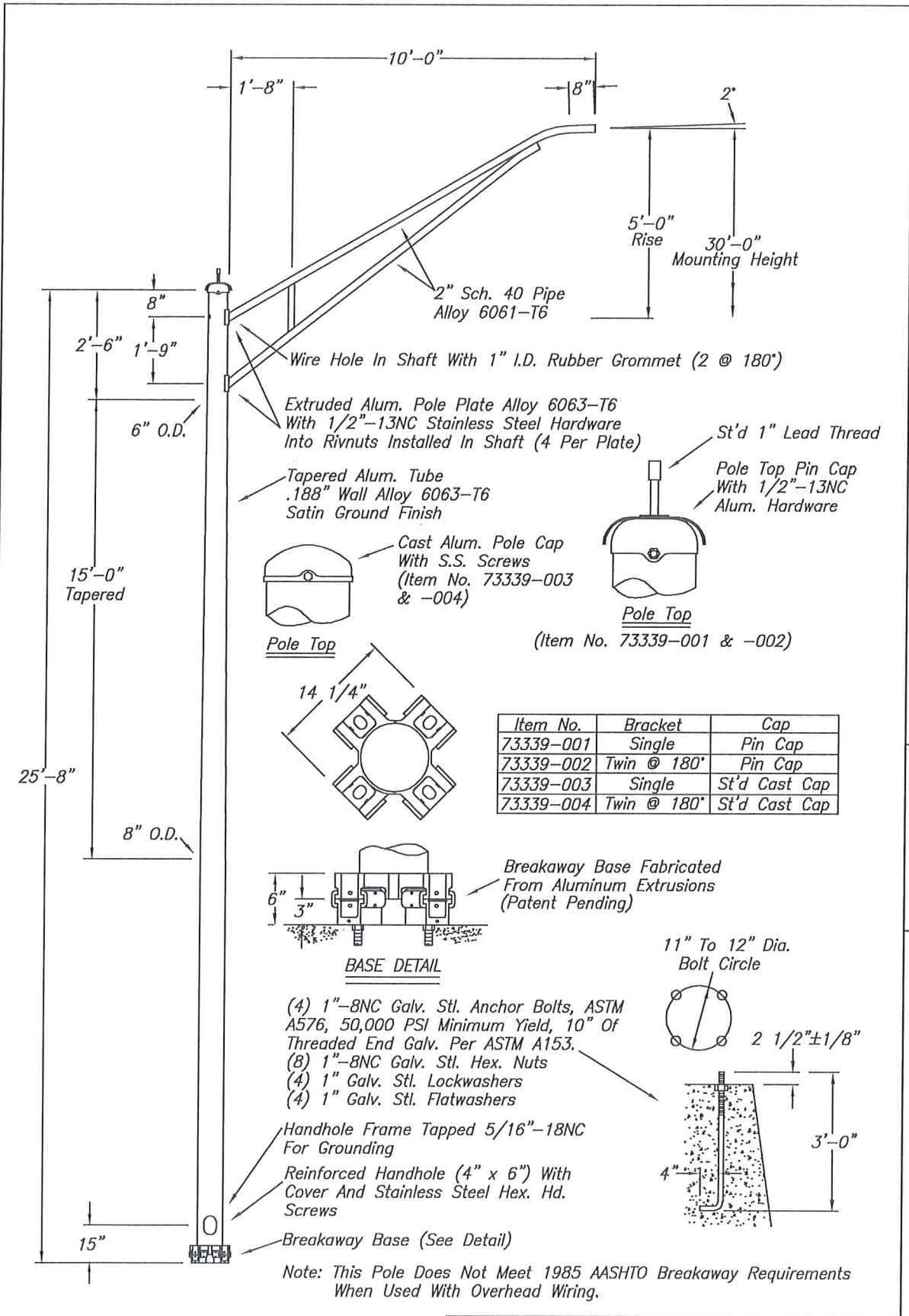


SIMPLEX MOUNT SPECIFICATIONS

- The mast arm is conically tapered from 3-1/2" O.D. x .125" wall 6063 alloy extruded aluminum tube to 2-3/8" O.D. (2" pipe size) at the luminaire end. The tapered tube is elliptical with the long axis oriented vertically. The arm is joined to the attachment system by a continuous circumferential weld. Each arm is heat treated after welding to produce a T6 temper. All arms are etched to create a satin finish. A 1-5/8" O.D. (1-1/4" pipe size) cast aluminum tenon may be installed in the luminaire end of the arm. Architectural finishes available are: paint, duranodic or natural anodized. All arms have a 32" rise. For additional information, contact your Valmont Representative.
- Simplex mounted mast arms are held in place by (2) interlocking aluminum castings. One is welded to the lighting standard and the second one is welded to the mast arm. The connection is secured with (2) series 300 stainless steel 1/2"-13 UNC bolts, washers, and lock washers. Simplex arms fit 4", 4-1/2", and 6" O.D. pole tops. A 1" I.D. rubber grommet is installed in the wireway. Unless otherwise directed, the first mast arm will be 90° to the right of the handhole, the second mast arm will be located 180° from the first.
- The following charts show the maximum allowable fixture EPA for the five wind zones acknowledged by AASHTO. The allowable EPA is based on a fixture weighing 75 pounds unless noted on the chart.
- Alternative arm lengths, rises, and mounting systems are available.

CATALOG LOGIC





B73339

REVISIONS		DATE	TITLE 30' LIGHTING POLE	
1	Note Added	8-93	CUSTOMER NORTH LITTLE ROCK, ARK.	
2	Was 73486 Base	1-95	SCALE 3/2	DATE 06/24/1993
3	-003 & -004 Added To Table	6-97	BY LW	DWG. NO.
4	Added 2'-6" Straight @ Top Of Shaft	6-97	CHK'D	B73339

WARNING: DO NOT INSTALL LIGHTING POLES WITHOUT LUMINAIRES

hapco
Abingdon, Va.

**TERMS AND STANDARD CONDITIONS
CITY OF NORTH LITTLE ROCK, ARKANSAS**

PLEASE READ CAREFULLY

1. When submitting an "Invitation to Bid," the bidder warrants that the commodities covered by the bid shall be free from defects in material and workmanship under normal use and service. In addition, bidder must deliver new commodities of the latest design and model, unless otherwise specified in the "Invitation to Bid."
2. Prices quoted are to be net prices, and when an error is made in extending total prices, the City may accept the bid for the lesser amount whether reflected by extension or by the correct multiple of the unit price.
3. Discounts offered will be taken when the City qualifies for such. The beginning date for computing discounts will be the date of invoice or the date of delivery and acceptance, whichever is later.
4. When bidding other than the brand and/or model specified in the "Invitation to Bid," the brand and/or model number must be stated by that item in the "Invitation to Bid," and descriptive literature be submitted with the bid.
5. The City reserves the right to reject any and all bids.
6. The Purchasing office reserves the right to award items, all or none, or by line item(s).
7. Quality, time and probability of performance may be factors in making an award.
8. Bid quotes submitted will remain firm for 30 calendar days from bid opening date; however, the prices may remain firm for a longer period of time if mutually agreeable between bidder and the Department of Commerce and Governmental Relations.
9. Bidder must submit a completed signed copy of the front page of the "Invitation to Bid" and must submit any other information required in the "Invitation to Bid."
10. In the event a contract is entered into pursuant to the "Invitation to Bid," the bidder shall not discriminate against any qualified employee or qualified applicant for employment because of race, sex, color, creed, national origin or ancestry. The bidder must include in any and all subcontracts a provision similar to the above.
11. Sales or use tax is not to be included in the bid price, but is to be added by the vendor to the invoice billing to the City. Although use tax is not to be included in this bid, vendors are to register and pay tax direct to the Arkansas State Revenue Department.
12. Prices quoted shall be "Free on Board" (F.O.B.) to destination at designated facility in North Little Rock. Charges may not be added after the bid is opened.
13. In the event of two or more identical low bids, the contract may be awarded arbitrarily or for any reason to any of such bidders or split in any proportion between them at the discretion of the Department of Commerce and Governmental Relations.
14. Specifications furnished with this Invitation are intended to establish a desired quality or performance level, or other minimum dimensions and capacities, which will provide the best product available at the lowest possible price. Other than designated brands and/or models approved as equal to designated products shall receive an equal consideration.
15. Samples of items when required, must be furnished free, and, if not called for within 30 days from date of bid opening, will become property of the City.
16. Bids will not be considered if they are: 1. Submitted after the bid's opening time. 2. Submitted electronically or faxed (unless authorized by Purchasing Agent).
17. Guarantees and warranties should be submitted with the bid, as they may be a consideration in making an award.
18. **CONSTRUCTION**
- A. Contractor is to supply the City with evidence of having and maintaining proper and complete insurance, specifically Workman's Compensation Insurance in accordance with the laws of the State of Arkansas, Public Liability and Property Damage. All premiums and cost shall be paid by the Contractor. In no way will the City be responsible in case of accident.
- B. When noted, a Certified check or bid bond in the amount of 5% of total bid shall accompany bid.
- C. A Performance Bond equaling the total amount of any bid exceeding \$10,000.00 must be provided for any contract for the repair, alteration or erection of any public building, public structure or public improvement (pursuant to Act 351 or 1953 as amended by Act 539 of 1979).
19. **LIQUIDATED DAMAGES** - Liquidated damages shall be assessed beginning on the first day following the maximum delivery or completion time entered on this bid form and/or provided for by the plans and specifications.
20. **AMBIGUITY IN BID** - Any ambiguity in any bid as the result of omission, error, lack of clarity or non-compliance by the bidder with specifications, instructions, and all conditions of bidding shall be construed in the light most favorable to the City.
21. The bid number should be stated on the face of the sealed bid envelope. If it is not, the envelope will have to be opened to identify.
22. Whenever a bid is sought seeking a source of supply for a specified period of time for materials and services, the quantities of usage shown are estimated ONLY. No guarantee or warranty is given or implied by the participants as to the total amount that may or may not be purchased from any resulting contracts. These quantities are for the bidders information ONLY and will be used for tabulation and presentation of bid and the participant reserves the right to increase or decrease quantities as required.
23. The City of North Little Rock reserves the right to reject any and all bids, to accept in whole or in part, to waive any informalities in bids received, to accept bids on materials or equipment with variations from specifications in those cases where efficiency of operation will not be impaired, and unless otherwise specified by the bidder, to accept any item in the bid. If unit prices and extensions thereof do not coincide, the City of North Little Rock may accept the bid for the lesser amount whether reflected by the extension or by the correct multiple of the unit price.
24. Additional information or bid forms may be obtained from:
COMMERCE DEPARTMENT, 120 Main Street, P.O. Box 5757, North Little Rock, Arkansas 72119 (501) 975-8881 www.nlr.ar.gov

Bidding documents must be submitted on or before the bid's opening date and time. Unless noted, sealed bids must be submitted to the Commerce Department at 120 Main Street, North Little Rock, AR 72114 or PO Box 5757, North Little Rock, AR 72119