



City of North Little Rock, Arkansas

Murray Hydroelectric Project

Unit 1 Discharge Ring Replacement

August 26, 2015

120 Main Street
P.O. Box 936
North Little Rock, AR 72115

CITY OF NORTH LITTLE ROCK, ARKANSAS
COMMERCE DEPARTMENT
Mary Beth Bowman, Director
Amy Smith, Assistant Director for Procurement
Crystal Willis, Admin. Sect./Assistant Purchasing Agent



120 MAIN STREET, North Little Rock, AR 72114
P.O. BOX 5757, North Little Rock, AR 72119
501-975-8881 Phone
501-975-8885 Fax

INVITATION TO BID/PROPOSAL COVER SHEET

Bid Number : _____ 15-3359 _____ Date Issued: _____ August 26, 2015

Date & Time Bid Opening: _____ Friday, September 18, 2015 at 10:00 a.m.

Murray Hydroelectric Project – Unit 1 Discharge Ring Replacement

Total Project Bid Price \$ _____

Specifications attached.

- Technical questions should be directed to Jessica Stephens, North Little Rock Electric Department at 501-992-4089
- Bidding document questions should be directed to the Commerce Department at 501-975-8881.

The City of North Little Rock reserves the right to reject any or all bids or to waive any informality in the bidding.

If you are obtaining this bid from our website, please be reminded that addendums may occur. It is therefore advisable that you review our listings (www.nlr.ar.gov) for attachments including any changes to the bid.

The City of North Little Rock encourages participation of small, minority, and woman own business enterprises in the procurement of goods, services, professional services, and construction, either as a general contractor or sub-contractor. It is further requested that whenever possible, majority contractors who require sub-contractors, seek qualified small, minority, and woman businesses to partner with them.

EXECUTION OF BID

Upon signing this page, the organization certifies that they have read and agree to the requirements set forth in this bid including conditions set forth and pertinent information requests.

Name of Firm: _____ Phone No.: _____

Tax Identification No.: _____

Business Address: _____

Signature of Authorized Person: _____

Title: _____ Date: _____

UNSIGNED BID COVER SHEET WILL BE REJECTED.

City of North Little Rock
Murray Hydroelectric Project
Unit 1 Discharge Ring Replacement

Request for Proposal and Specification

The North Little Rock Electric Department (NLRED) is requesting proposals for the Murray Hydroelectric Project Unit 1 Discharge Ring replacement. The Contractor's proposal shall be based on this Request for Proposal and Specification, Original Equipment Manufacturer (OEM) drawings and other information.

<u>Task</u>	<u>Date</u>
Bids Due	09/18/2015
Contractor Selected	09/30/2015

I. General

The Contractor must be an established company in the field of hydropower equipment repair and maintenance with at least 5 years of experience related to the repair and maintenance of Kaplan hydro turbines. The Contractor shall submit a list of relevant projects with the proposal.

Non-Destructive Testing (NDT) shall be performed by trained and qualified individuals certified Level III Technician, in accordance with the requirements of SNT-TC-1A, The American Society for Nondestructive Testing, or a Certified Weld Inspector (CWI).

Weld procedures should be provided for review by NLRED.

The following listed OEM drawings are attached for information:

- AC 5196-EQ-2 Slip Joint Assembly (TB 1094A)
- AC 6569-AF-1 Distributor Section (TB 1030)
- AC 5196-EO-1 Discharge Ring Machine (TB 1026)
- AC 6565-Y-1 Outer Gate Barrel Machine (TB 1031)

II. Scope of Supply

The Contractor will supply one (1) new pit turbine discharge ring, manufactured per Allis-Chalmers Corporation (AC) Drawing Nos. 5196-EO-1 Rev 05. The above listed prints will be made available for reference to the mating components. The new ring will be built in quarters with materials of construction as follows:

- | | |
|--|-----------------------------------|
| ● Upstream Flange (to Outer Gate Barrel) | ASTMA516 Grade 60/70 (low Sulfur) |
| ● Upstream Cone | ASTM A516 Grade 60/70 |
| ● Upstream Spherical Section (Blade Sweep) | ASTMA240 UNS S30403 |
| ● Downstream Spherical Section (Blade Sweep) | ASTM A240 UNS 530403 |
| ● Slip Ring Mating Joint | ASTM A240 UNS 530403 |

- Split Flanges
- Ribbing

ASTMA516 Grade 60/70
ASTMA36

Each discharge ring quarter will be fabricated from formed plate steel using a profile sweep and layout to assist in maintaining the shapes and sizes. The quarter sections will be braced on the interior to help minimize movement during the welding process.

Machining of the ring sections will be performed with CNC vertical and horizontal machining centers, capable of maintaining the strictly controlled profiles and shapes needed to produce the finished ring.

Painted surfaces shall be coated with a minimum 15mil thickness approved two part epoxy coating suitable for underwater use.

Each quarter will be shipped on a separate vehicle to the Murray Hydro Plant, 4000 Cooks Landing Road, North Little Rock, AR 72118.

DATE	BY	REVISION

DATE	BY	REVISION

NO. OF SHEETS	REVISED BY
1	
DATE	

PROJECT	51 586-80-1
DRAWING NO.	
DATE	
BY	
CHECKED	
APPROVED	

DATE	BY	REVISION

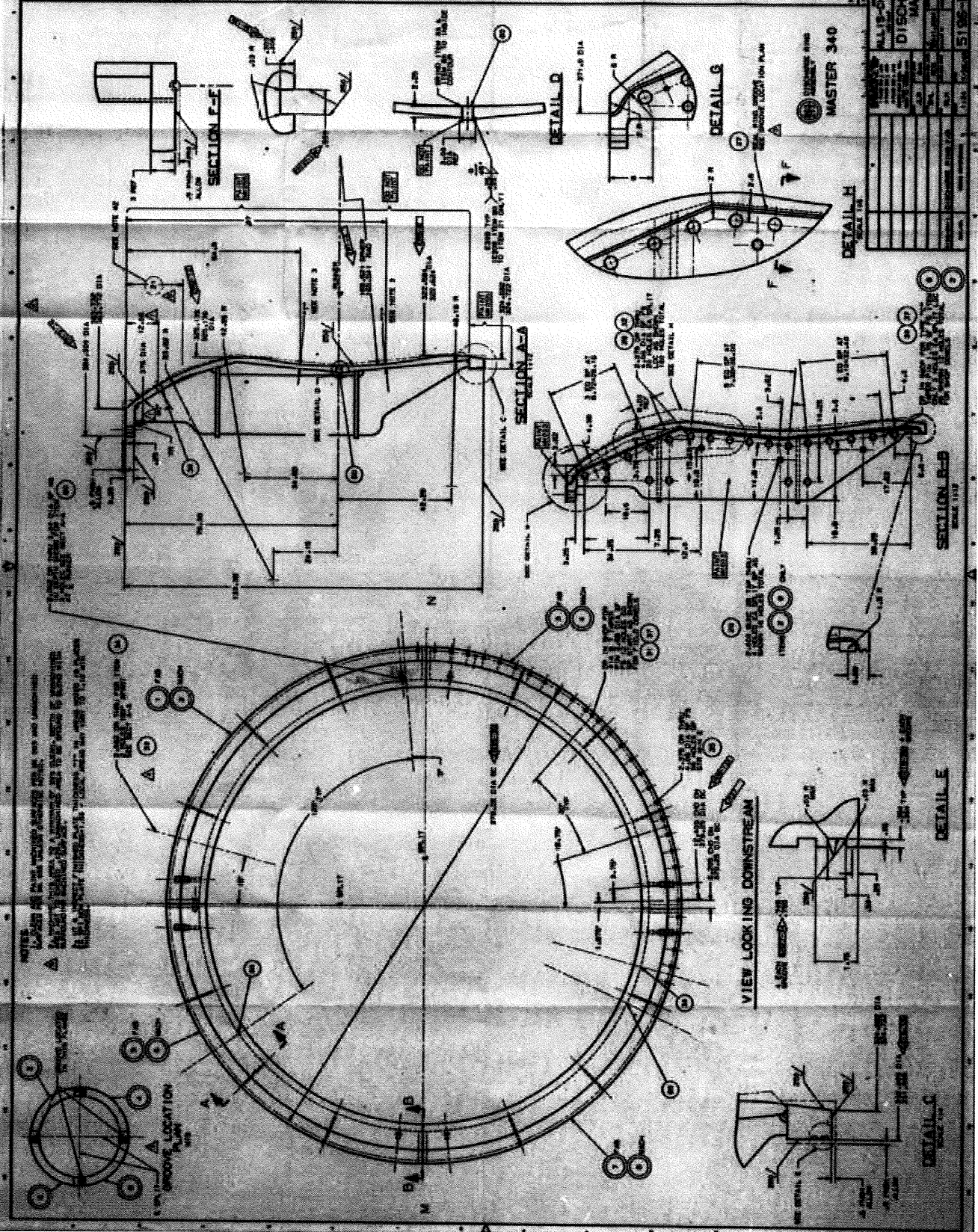
DATE	BY	REVISION

DATE	BY	REVISION

DATE	BY	REVISION

DATE	BY	REVISION

DATE	BY	REVISION



NOTES

1. ALL DIMENSIONS ARE IN INCHES UNLESS OTHERWISE SPECIFIED.

2. ALL DIMENSIONS ARE TO BE TAKEN TO THE CENTERLINE OF THE DISCHARGE RING UNLESS OTHERWISE SPECIFIED.

3. ALL DIMENSIONS ARE TO BE TAKEN TO THE CENTERLINE OF THE DISCHARGE RING UNLESS OTHERWISE SPECIFIED.

4. ALL DIMENSIONS ARE TO BE TAKEN TO THE CENTERLINE OF THE DISCHARGE RING UNLESS OTHERWISE SPECIFIED.

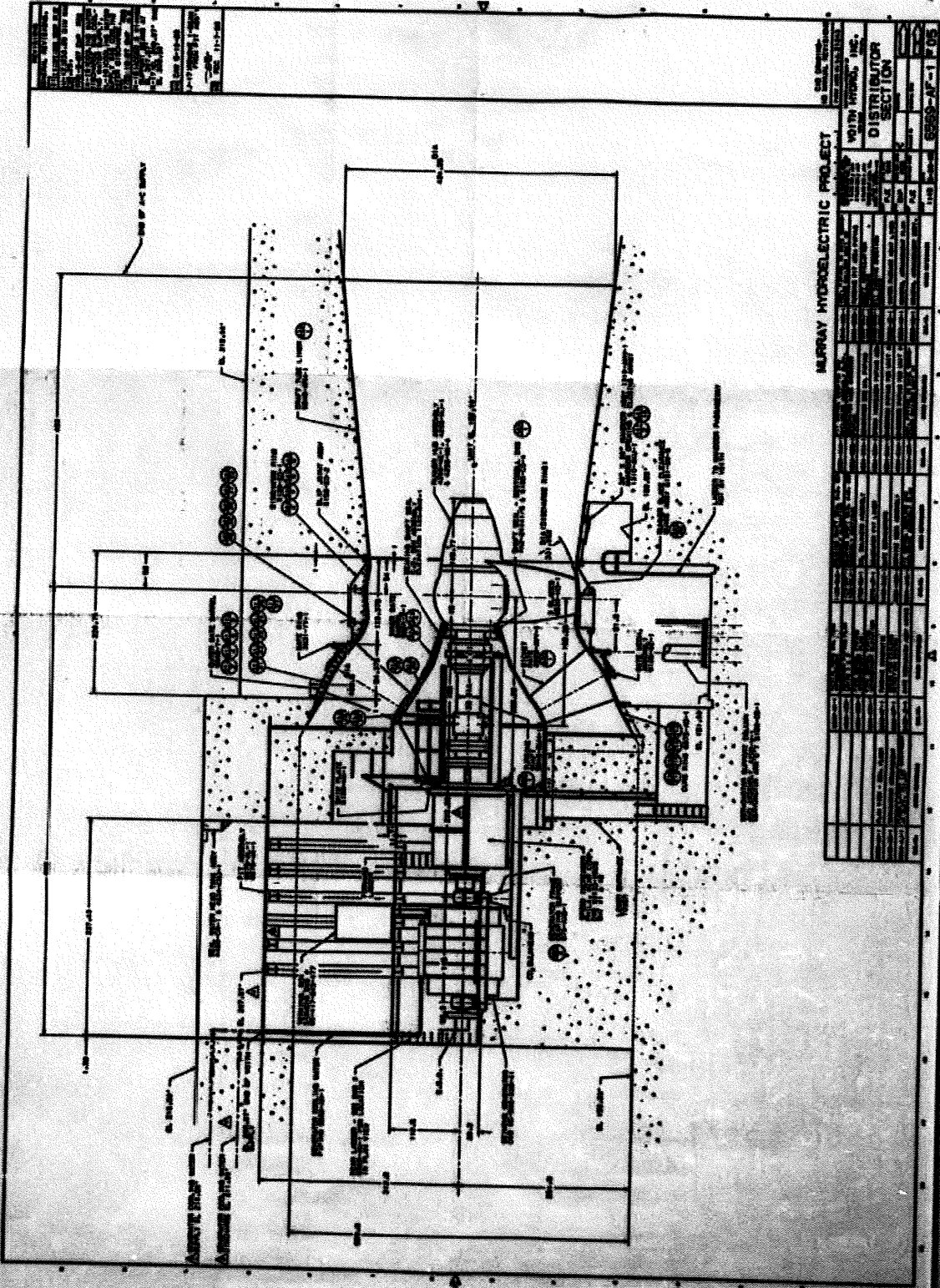
LOCATIONS OF DISCHARGE RING AND DISCHARGE RING ASSEMBLY ARE SHOWN IN THE ATTACHED DRAWING.

LOCATIONS OF DISCHARGE RING AND DISCHARGE RING ASSEMBLY ARE SHOWN IN THE ATTACHED DRAWING.

LOCATIONS OF DISCHARGE RING AND DISCHARGE RING ASSEMBLY ARE SHOWN IN THE ATTACHED DRAWING.

LOCATIONS OF DISCHARGE RING AND DISCHARGE RING ASSEMBLY ARE SHOWN IN THE ATTACHED DRAWING.

CITY OF NORTH FERRIS, ARIZONA MURRAY HYDROELECTRIC PROJECT DISTRIBUTION SECTION	
PROJECT NO. 101-00001140	SHEET NO. 1 OF 1
DATE: 11/11/88	DRAWN BY: [Name]
CHECKED BY: [Name]	APPROVED BY: [Name]



MURRAY HYDROELECTRIC PROJECT

DESIGNED BY: [Name]

DRAWN BY: [Name]

CHECKED BY: [Name]

APPROVED BY: [Name]

DATE: 11/11/88

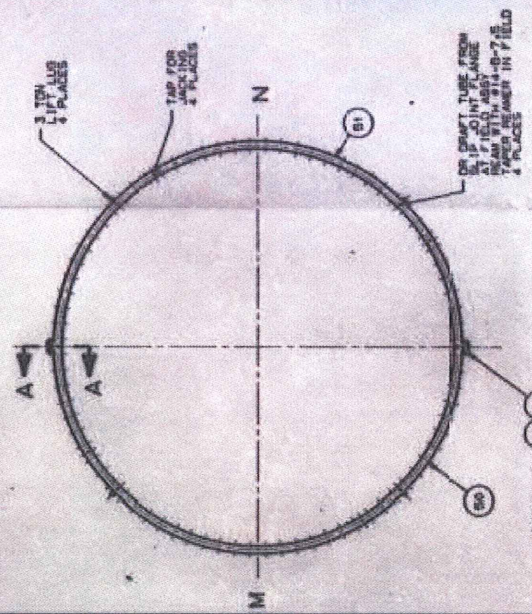
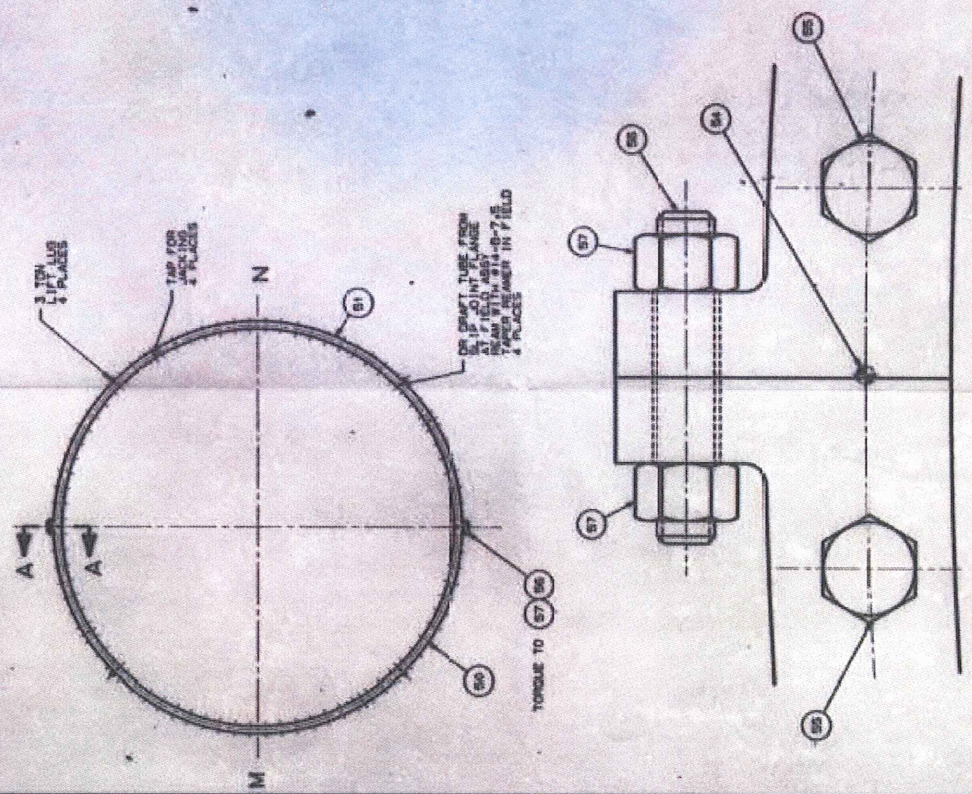
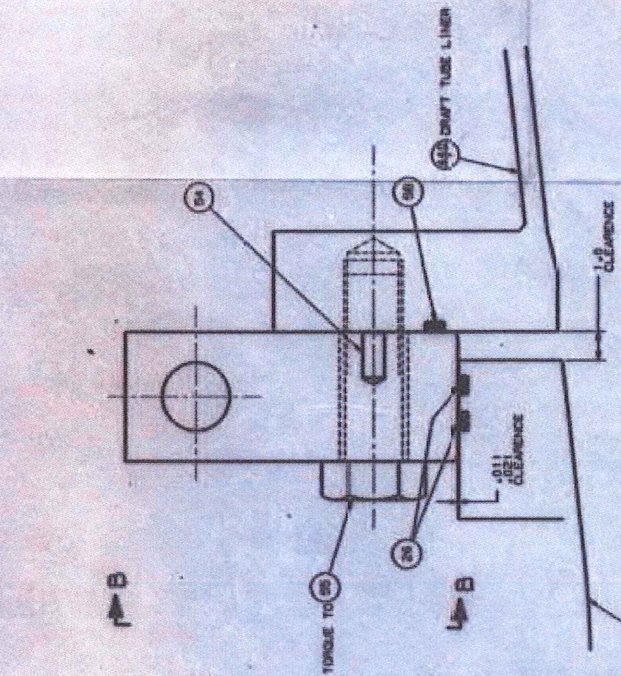
PROJECT NO. 101-00001140

SHEET NO. 1 OF 1

CITY OF NORTH LITTLE ROCK
 PUBLIC WORKS DEPARTMENT
 PROJECT: SLIP JOINT ASSEMBLY
 DRAWING NO: 5196-E0-2

MASTER 340
 CAD DRAWING
 NO ARCHIT. REVISIONS
 ALL IS - CHALMERS CORP.
 SLIP JOINT ASSY
 5196-E0-2 P.00

REVISIONS



OR DRAFT TUBE FROM
 A 1/4 INCH TUBE
 BEAM WITH 3/16 INCH
 TAPER BEAMER IN 7 FIELD

TERMS AND STANDARD CONDITIONS
CITY OF NORTH LITTLE ROCK, ARKANSAS

PLEASE READ CAREFULLY

1. When submitting an "Invitation to Bid," the bidder warrants that the commodities covered by the bid shall be free from defects in material and workmanship under normal use and service. In addition, bidder must deliver new commodities of the latest design and model, unless otherwise specified in the "Invitation to Bid."
2. Prices quoted are to be net process, and when an error is made in extending total prices, the City shall accept the bid for the lesser amount whether reflected by extension by the correct multiple of the unit price.
3. Discounts offered will be taken when the City qualifies for such. The beginning date for computing discounts will be the date of delivery and acceptance, whichever is later.
4. When bidding other than the brand and/or model specified in the "Invitation to Bid," the brand and/or model number must be stated by that item in the "Invitation to Bid," and descriptive literature be submitted with the bid.
5. The City reserves the right to reject all bids.
6. The Purchasing office reserves the right to award items, all or none, or by line item(s).
7. Quality, time and probability of performance may be factors in making an award.
8. Bid quotes submitted will remain firm for 30 calendar days from bid opening date; however, the prices may remain firm for a longer period of time if mutually agreeable between bidder and the Department of Commerce and Governmental Relations.
9. Bidder must submit a completed signed copy of the front page of the "Invitation to Bid" and must submit any other information required in the "Invitation to Bid."
10. In the event a contract is entered into pursuant to the "Invitation to Bid," the bidder shall not discriminate against any qualified employee or qualified applicant for employment because of race, sex, color, creed, national origin or ancestry, the bidder must include in any and all subcontracts a provision similar to the above.
11. Sales or use tax is not to be included in the bid price, but is to be added by the vendor to the invoice billing to the City. Although use tax is not to be included in this bid, vendors are to register and pay tax direct to the Arkansas State Revenue Department.
12. Prices quoted shall be "Free on Board" (F.O.B) to destination at designated facility in North Little Rock. Charges may not be added after the bid is opened.
13. In the event of two or more identical low bids, the contract shall be awarded to the vendor who submitted the earliest bid. All bids submitted to the City of North Little Rock are dated, time-stamped and initialed by an employee.
14. Specifications furnished with this Invitation are intended to establish a desired quality or performance level or other minimum dimensions and capacities, which will provide the best product available at the lowest possible price. Other than designated brands and/or models approved as equal to designated products shall receive an equal consideration.
15. Samples of items when required, must be furnished free, and, if not called for within 30 days from date of bid opening will become property of the City.

16. Bids received after stated time for opening will not be considered.
17. Guarantees and warranties should be submitted with the bid, as they may be a consideration in making an award.
18. CONSTRUCTION:
 - A. Contractor is to supply the City with evidence of having and maintaining proper and complete insurance, specifically Workman's Compensation Insurance in accordance with the laws of the State of Arkansas, Public Liability and Property Damage. All premiums and cost shall be paid by the Contractor. In no way will the City be responsible in case of accident.
 - B. When noted, a Certified check or bid bond in the amount of 5% of total bid shall accompany bid.
 - C. A Performance Bond equaling the total amount of any bid exceeding \$10,000.00 must be provided for any contract for the repair, alteration or erection of any public building, public structure or public improvement (pursuant to Act 351 or 1953 as amended by Act 539 of 1979).
19. LIQUIDATED DAMAGES - Liquidated damages shall be assessed beginning on the first day following the maximum delivery or completion time entered on this bid form and/or provided for by the plans and specifications.
20. The bid number should be stated on the face of the sealed bid envelope. If it is not, the envelope will have to be opened to identify.
21. Whenever a bid is sought seeking a source of supply for a specified period of time for materials and services, the quantities of usage shown are estimated ONLY. No guarantee or warranty is given or implied by the participants as to the total amount that may or may not be purchased from any resulting contracts. These quantities are for the bidders information ONLY and will be used for tabulation and presentation of bid and the participant reserves the right to increase or decrease quantities as required.
22. The City of North Little Rock reserves the right to reject any and all bids, to accept in whole or in part, to waive any informalities in bids received, to accept bids on materials or equipment with variations from specifications in those cases where efficiency of operation will not be impaired, and unless otherwise specified by the bidder, to accept any item in the bid. If unit prices and extensions thereof do not coincide, the City of North Little Rock shall modify the bid for the lesser amount whether reflected by the extension or by the correct multiple of the unit price.
23. Additional information of bid forms may be obtained from:

DEPARTMENT OF COMMERCE AND GOVERNMENT AFFAIRS
120 Main Street
P.O. Box 5757
North Little Rock, AR 72119
PH: (501) 975-8881