

CITY OF NORTH LITTLE ROCK, ARKANSAS  
COMMERCE DEPARTMENT  
Mary Beth Bowman, Director  
Amy Smith, Assistant Director for Procurement  
Crystal Willis, Admin. Secretary/Asst. Purchasing Agent



P.O. BOX 5757  
NORTH LITTLE ROCK, AR 72119  
501-975-8881 Phone  
501-975-8885 Fax

## INVITATION TO BID

Bid Number: \_\_\_\_\_ 16-3392 \_\_\_\_\_ Date Issued: \_\_\_\_\_ June 27, 2016

Date & Time Bid Opening: \_\_\_\_\_ Thursday, July 7, 2016 at 10:00 a.m.

### CONSTRUCTION OF SIXTY-ONE (61) CONCRETE PADS FOR THE NORTH LITTLE ROCK DOWNTOWN RIVERSIDE RV PARK

PRICING SHEET ATTACHED.

SPECIFICATIONS ATTACHED.

Plans and specifications may be examined at:

- Commerce Department, 120 Main, North Little Rock, Arkansas
- [www.northlittlerock.ar.gov](http://www.northlittlerock.ar.gov)

Please direct technical questions and/or comments to Michael Klamm at 501-813-0369.  
Please contact the Commerce Department with any questions and/or comments regarding bid procedure.

**Note: FAILURE TO FILL OUT AND SIGN THE INVITATION TO BID SHEET WILL RESULT IN REJECTION OF THE BID.**

---

#### EXECUTION OF BID

Upon signing this page, the organization certifies that they have read and agree to the requirements set forth in this RFQ/RFP/BID including conditions set forth and pertinent information requests.

Name of Firm: \_\_\_\_\_ Phone No.: \_\_\_\_\_

Tax Identification No.: \_\_\_\_\_

Business Address: \_\_\_\_\_

Signature of Authorized Person: \_\_\_\_\_

Title: \_\_\_\_\_ Date: \_\_\_\_\_, 2016

**UNSIGNED COVER SHEETS WILL BE REJECTED.**



**Specifications  
and Contract Documents**

**RV Park - New  
Concrete Parking Pads**

JUNE 2016

Engineering Department  
500 W. 13<sup>TH</sup> Street  
North Little Rock, AR 72114

# ENGINEERING DEPARTMENT



500 West 13<sup>th</sup> Street  
North Little Rock, Arkansas 72114

Phone: (501)-371-8345  
Fax: (501) 371-8348

Bid Opening # 16-3391

Job Name: Concrete Pads for the NLR Downtown Riverside RV Park

Opening Date: Thursday, July 7, 2016  
Opening Time: 10:00 a.m.  
Opening Location: Commerce Department, 120 Main Street, North Little Rock, AR 72114

## Job Description:

This project is located at the Downtown Riverside RV Park off of Riverfront Drive in North Little Rock, Arkansas and involves construction of sixty one 14' X 40' RV concrete parking pads. The project has two alternatives. Alternative 1 consists only of the concrete parking pads, totaling 34,160 square feet. Alternative 2 consists of the concrete parking pads plus concrete driveways for each pad, totaling about 56,200 square feet. All concrete used on the project shall have a minimum thickness of 6 inches and shall be 4,000 psi reinforced concrete with welded wire reinforcement. The project shall be phased to meet approval of RV Park management such that the Park may remain open for ongoing utilization of visitors while construction is occurring.

## Job Requirements:

The contractor must coordinate work schedule with RV Park management at least 5 business/working days in advance of beginning each phase of construction in order to verify there are no conflicts with Park operations.

The contractor must comply with all applicable federal, state, and local laws regarding work, materials and the safety of persons or property. The City of North Little Rock will not be responsible for any loss or damage to the work or any property of the contractor.

It is the contractor's responsibility to protect the adjacent property from damage or loss. The contractor will also pay for, repair or replace any damage or loss caused by the contractor.

The contractor must submit evidence of a minimum of \$250,000.00 of liability insurance prior to award of the bid. The contractor must also submit evidence of workers compensation compliance prior to award of bid.

The contractor must be a licensed contractor in the State of Arkansas. The contractor must show evidence of a performance bond for 100% of the bid price.

Construction of the concrete pads will take place within a mutually agreed upon timetable.

Contact Michael Klamm at 501-813-0369 with any technical questions.

Contact the Commerce Department with bid procedure questions at 501-975-8881.

## **City of North Little Rock**

### **Notice to Bidders RV Park – New Concrete Parking Pads**

Bids will be received by the City of North Little Rock, Arkansas in the office of the Department of Commerce and Government Affairs until the date given on the Bid Invitation for the following work:

The work involves construction of 61 concrete RV parking pads.

The City reserves the right to reject any or all bids and to waive informalities in the bids, as well as alterations of any locations if mutually agreed.

The City also reserves the right to reduce the total amount of work to be done as required by budget restraints. Also, work added or remaining shall be at the same unit price as submitted in the proposal.

A 5% Bid Bond or Certified Check is required to be submitted with the bid.

The Department of Commerce and Government Affairs is located in the City Services Building, 120 Main Street, North Little Rock, AR 72114. Phone Number 501-975-8882.

Plans and Specifications are available at no charge in the Office of Commerce and Government Affairs.

Bidders are advised the City intends for the Contractor to start work in October or November after the award of the project.



## **General Conditions**

### **Qualifications of Bidders**

Bidder must be qualified to perform the required work under the Contract and may be required to submit evidence, if determined necessary by the Owner, of experience, work force, equipment and financial resources to properly execute the Contract. Bidder must be capable to perform milling as requested.

### **Construction Time**

The Contractor shall agree to complete the work in accordance with scheduling of RV Park Management upon determination of the successful low bidder.

### **Contractor Liability**

The Contractor shall be responsible for all damages to persons or property in the performance of his work. Proof of insurance satisfactory to the Owner, shall be furnished prior to award of the Contract.

### **Workers Compensation Insurance**

Proof of insurance shall be required by the City prior to bid award and at any time thereafter throughout the contract period as deemed necessary by the City.

### **Liquidated Damages**

Contractor agrees to complete the work within the construction time specified and to pay the Owner liquidated damages in the amount of \$50.00 per day for each consecutive day thereafter.

### **Inspection**

The City Engineering Department shall inspect all work and approve materials incorporated into work. Failure to comply with the plans and specifications, substandard materials or construction shall be cause for rejection and/or replacement of the work at the Contractor's expense.

### **Superintendence by Contractor**

The Contractor shall provide a competent construction superintendent or job foreman to act on behalf of the Contractor at all times during construction and to provide the name and phone number of a manager of the company that can be reached 24 hours a day for engineers.

### **Construction Plans**

Construction Plans are provided by the NLR Commerce Department. Phone number is 501-975-8881.

### **Payments**

Partial payments for the work completed in place and approved by the Owner may be made to the Contractor upon receipt of invoice and approved by the Owner. A 10% retainage will be deducted from all partial payments. Upon final inspection and approval of all work by the contractor, the Owner will make the final payment on the Contract.

### **Bid Bond and Performance Bond**

A 5% Bid Bond and 100% Performance Bond is required for this project.

### **Maintenance Bond**

The Contractor shall guarantee the work against faulty materials and workmanship for a period of one year after completion. The Contractor shall furnish the Owner as obligated, a good and sufficient surety bond in the amount of fifty (50%) percent of the final contract sum upon substantial completion, guaranteeing the work against faulty materials and workmanship for one year after completion.

### **Clean Up**

The Contractor shall be responsible for all clean up during and after construction.

**TERMS AND STANDARD CONDITIONS  
CITY OF NORTH LITTLE ROCK, ARKANSAS**

PLEASE READ CAREFULLY

1. When submitting an "Invitation to Bid," the bidder warrants that the commodities covered by the bid shall be free from defects in material and workmanship under normal use and service. In addition, bidder must deliver new commodities of the latest design and model, unless otherwise specified in the "Invitation to Bid."
2. Prices quoted are to be net process, and when an error is made in extending total prices, the City may accept the bid for the lesser amount whether reflected by extension or by the correct multiple of the unit price.
3. Discounts offered will be taken when the City qualifies for such. The beginning date for computing discounts will be the date of invoice or the date of delivery and acceptance, whichever is later.
4. When bidding other than the brand and/or model specified in the "Invitation to Bid," the brand and/or model number must be stated by that item in the "Invitation to Bid," and descriptive literature be submitted with the bid.
5. The City reserves the right to reject any and all bids.
6. The Purchasing office reserves the right to award items, all or none, or by line item(s).
7. Quality, time and probability of performance may be factors in making an award.
8. Bid quotes submitted will remain firm for 30 calendar days from bid opening date; however, the prices may remain firm for a longer period of time if mutually agreeable between bidder and the Commerce Department.
9. Bidder must submit a completed signed copy of the front page of the "Invitation to Bid" and must submit any other information required in the "Invitation to Bid."
10. In the event a contract is entered into pursuant to the "Invitation to Bid," the bidder shall not discriminate against any qualified employee or qualified applicant for employment because of race, sex, color, creed, national origin or ancestry. The bidder must include in any and all subcontracts a provision similar to the above.
11. Sales or use tax is not to be included in the bid price, but is to be added by the vendor to the invoice billing to the City. Although use tax is not to be included in this bid, vendors are to register and pay tax direct to the Arkansas State Revenue Department.
12. Prices quoted shall be "Free on Board" (F.O.B.) to destination at designated facility in North Little Rock. Charges may not be added after the bid is opened.
13. In the event of two or more identical low bids, the contract may be awarded arbitrarily or for any reason to any of such bidders or split in any proportion between them at the discretion of the Commerce Department.
14. Specifications furnished with this Invitation are intended to establish a desired quality or performance level, or other minimum dimensions and capacities, which will provide the best product available at the lowest possible price. Other than designated brands and/or models approved as equal to designated products shall receive an equal consideration.
15. Samples of items when required, must be furnished free, and, if not called for within 30 days from date of bid opening, will become property of the City.
16. Bids will not be considered if they are: 1. Submitted after the bid's opening time. 2. Submitted electronically or faxed (unless authorized by Purchasing Agent).
17. Guarantees and warranties should be submitted with the bid, as they may be a consideration in making an award.
18. **CONSTRUCTION**
  - A. Contractor is to supply the City with evidence of having and maintaining proper and complete insurance, specifically Workman's Compensation Insurance in accordance with the laws of the State of Arkansas, Public Liability and Property Damage. All premiums and cost shall be paid by the Contractor. In no way will the City be responsible in case of accident.
  - B. When noted, a Certified check or bid bond in the amount of 5% of total bid shall accompany bid.
  - C. A Performance Bond equaling the total amount of any bid exceeding \$10,000.00 must be provided for any contract for the repair, alteration or erection of any public building, public structure or public improvement (pursuant to Act 351 or 1953 as amended by Act 539 of 1979).
19. **LIQUIDATED DAMAGES** - Liquidated damages shall be assessed beginning on the first day following the maximum delivery or completion time entered on this bid form and/or provided for by the plans and specifications.
20. **AMBIGUITY IN BID** - Any ambiguity in any bid as the result of omission, error, lack of clarity or non-compliance by the bidder with specifications, instructions, and all conditions of bidding shall be construed in the light most favorable to the City.
21. The bid number should be stated on the face of the sealed bid envelope. If it is not, the envelope will have to be opened to identify.
22. Whenever a bid is sought seeking a source of supply for a specified period of time for materials and services, the quantities of usage shown are estimated ONLY. No guarantee or warranty is given or implied by the participants as to the total amount that may or may not be purchased from any resulting contracts. These quantities are for the bidders information ONLY and will be used for tabulation and presentation of bid and the participant reserves the right to increase or decrease quantities as required.
23. The City of North Little Rock reserves the right to reject any and all bids, to accept in whole or in part, to waive any informalities in bids received, to accept bids on materials or equipment with variations from specifications in those cases where efficiency of operation will not be impaired, and unless otherwise specified by the bidder, to accept any item in the bid. If unit prices and extensions thereof do not coincide, the City of North Little Rock may accept the bid for the lesser amount whether reflected by the extension or by the correct multiple of the unit price.
24. Additional information or bid forms may be obtained from:  
COMMERCE DEPARTMENT, 120 Main Street, P.O. Box 5757, North Little Rock, Arkansas 72119 (501) 975-8881 [www.nlr.ar.gov](http://www.nlr.ar.gov)

**Bidding documents must be submitted on or before the bid's opening date and time. Unless noted, sealed bids must be submitted to the Commerce Department at 120 Main Street, North Little Rock, AR 72114 or PO Box 5757, North Little Rock, AR 72119**

## Bid Proposal

### RV Park – New Concrete Parking Pads

Place \_\_\_\_\_

Date \_\_\_\_\_

Proposal of \_\_\_\_\_

Hereinafter called Bidder, a corporation organized and existing under the laws of the State of \_\_\_\_\_, a partnership, or individual doing business as

\_\_\_\_\_.

(Insert corporation, partnership or individual as applicable)

To: The City of North Little Rock  
(Hereinafter called the Owner)

Gentlemen:

Bidders shall be in compliance with this invitation for bids for the design and construction of the RV Park – New Concrete Parking Pads. Having examined the plans and specifications with related documents and the site of the proposed work, and being familiar with all of the conditions surrounding the construction of the proposed project including the availability of materials and labor, the Bidder hereby proposes to furnish all labor, materials, equipment, and supplies, and to construct the project in accordance with the contract documents within the time set forth therein, and at the price stated below. This price is to cover all expenses incurred in performing the work required.

The Bidder hereby agrees to commence work under this Contract on or before a date to be specified in written "Notice to Proceed" of the Owner and to fully complete the project thereafter as stipulated by scheduling with RV Park Management. The Bidder further agrees to pay as liquidated damages, the sum of \$50.00 for each consecutive Calendar Day the project is in default. The Bidder submits the Unit Prices and Total Bid Amount for each Alternative as follows:

#### ALTERNATIVE 1:

<u>Item</u>	<u>Amount</u>	<u>Unit</u>	<u>Unit Price</u>	<u>Total Price</u>
Excavation	<u>1,270</u>	CY	\$ _____	\$ _____
Class 7 Aggregate Base Course	<u>1,330</u>	Ton	\$ _____	\$ _____
6" Reinforced Portland Cement Concrete	<u>3,800</u>	SY	\$ _____	\$ _____

**Total Bid Amount (Alternative 1):**    \$ \_\_\_\_\_

**ALTERNATIVE 2:**

<u>Item</u>	<u>Amount</u>	<u>Unit</u>	<u>Unit Price</u>	<u>Total Price</u>
Excavation	<u>2,010</u>	CY	\$ _____	\$ _____
Class 7 Aggregate Base Course	<u>2,111</u>	Ton	\$ _____	\$ _____
6" Reinforced Portland Cement Concrete	<u>6,030</u>	SY	\$ _____	\$ _____

**Total Bid Amount (Alternative 2):**     \$ \_\_\_\_\_

The above prices shall include all labor, materials, bailing, shoring, removal, overhead, profit, insurance, etc. to cover the finished work of several kinds called for.

The Bidder understands that the Owner reserves the right to reject any or all bids and to waive any formalities in the building.

The Owner reserves the right to award any portion or this entire Contract based upon available funding. The quantities shown for each bid item are the total quantities for the entire project. If a portion of this project must be cut due to funding availability, the quantities for each bid item will be reduced and bids reevaluated with the original price submitted by the Bidder.

The Bidder agrees that bids shall be good and may not be withdrawn for a period of thirty (30) days after the scheduled closing time for receiving bids.

Upon receipt of written notice of this bid, the Bidder shall execute the formal Contract attached within ten (10) days and deliver a Surety Bond or Bonds as required in the "General Conditions".

The 5% Bid Bond attached in the sum of \_\_\_\_\_  
\_\_\_\_\_ (\$ \_\_\_\_\_).

is to become the property of the Owner in the event the Contract and Bond are not executed within the time above set forth as liquidated damages for the delay and additional expense to the Owner caused thereby.

Respectfully Submitted,

By: \_\_\_\_\_  
Title: \_\_\_\_\_  
Name: \_\_\_\_\_  
Company: \_\_\_\_\_

Phone: \_\_\_\_\_  
Address: \_\_\_\_\_  
Zip Code: \_\_\_\_\_

**\*Seal – If Bid is by a corporation**

## CONTRACT

This agreement, made this \_\_\_ day of \_\_\_\_\_, 2016, by any between

The City of North Little Rock, herein called Owner, acting herein through its  
(Corporate Name of Owner)

Mayor, and \_\_\_\_\_  
(Title of Authorized Official) (Sole Proprietorship)

County of \_\_\_\_\_, a State of \_\_\_\_\_

Hereinafter called Contractor.

**WITNESSETH:** That for and in consideration of the payments and agreement hereinafter mentioned to be made and performed by the OWNER, the CONTRACTOR hereby agrees with the OWNER to commence and complete the design and construction described as follows:

### **RV Park – New Concrete Parking Pads**

hereinafter called the project (for the sum of \_\_\_\_\_ Dollars (\$ \_\_\_\_\_)) and all extra work in connection therewith, under the terms as stated in the General and Special Conditions of the Contract; and at his (it's or their) own proper cost and expense to furnish all the materials, supplies, machinery, equipment, tools, superintendence, labor, insurance, and other accessories and services necessary to complete the said project in accordance with the conditions and prices stated in the Proposal, the General Conditions, Supplemental Plans, which include all maps, plats, blue prints, and other drawings and printed or written explanatory matter thereof, the specifications and contract documents therefore as prepared by the City Engineering Department, herein entitled the Engineer, all of which are made a part hereof and collectively evidence and constitute the contract.

The Contractor hereby agrees to commence work under this Contract on or before a date to be specified in a written "Notice to Proceed" of the Owner and to fully complete the project thereafter as stipulated by scheduling of RV Park Management. The Contractor further agrees to pay, as liquidated damages, the sum of \$50.00 for each consecutive calendar day thereafter as hereinafter provided.



The Owner agrees to pay the CONTRACTOR in current funds for the performance of the Contract, subject to additions and deductions, as provided in the General Conditions of the Contract.

IN WITNESS WHEREOF, the parties thereto present have executed this Contract in four (4) counter parts, each of which shall be deemed an original, in the year and day first above mentioned.

City of North Little Rock  
(Owner)

BY: \_\_\_\_\_

\_\_\_\_\_

(Mayor)

\_\_\_\_\_

(Contractor)

By: \_\_\_\_\_

\_\_\_\_\_

(Title)

Name: \_\_\_\_\_

Address: \_\_\_\_\_

Zip Code: \_\_\_\_\_

Phone Number: \_\_\_\_\_

**NOTE: Secretary of the Owner should attest. If Contractor is a Corporation, Secretary should attest.**

# CITY OF NORTH LITTLE ROCK RV PARK - NEW CONCRETE PARKING PADS NORTH LITTLE ROCK, ARKANSAS



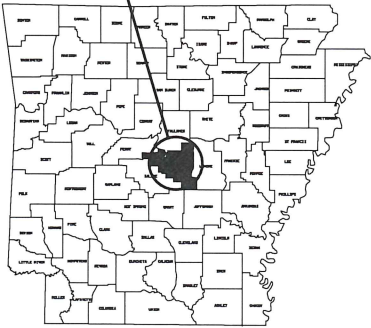
**CITY OF NORTH LITTLE ROCK**  
Parks & Recreation Department  
NORTH LITTLE ROCK, AR 72114  
2700 WILLOW STREET

RV PARK - NEW CONCRETE  
PARKING PADS

COVER SHEET  
AND  
INDEX OF SHEETS

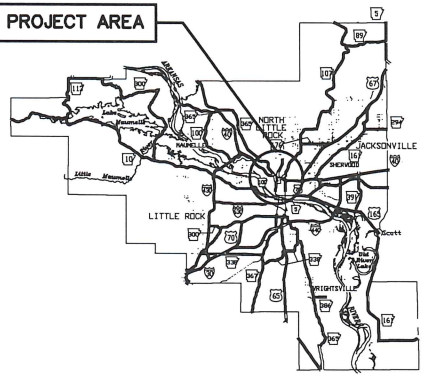
Sheet Number  
**1**

PROJECT AREA



**ARKANSAS  
STATE MAP**

PROJECT AREA



**PULASKI  
COUNTY MAP**

PROJECT SITE



**LOCATION MAP**

RIVERFRONT DRIVE



JUNCTION BRIDGE

INDEX OF SHEETS	
SHEET	TITLE
1	COVER SHEET AND INDEX OF SHEETS
2	CONCRETE PAD LAYOUT - ALT. NO. 1
3	CONCRETE PAD LAYOUT - ALT. NO. 2
4	CONCRETE JOINT LAYOUT PLANS
5	GENERAL SPECIFICATION NOTES
6	JOINT DETAILS

**City of North Little Rock  
Convention and Visitors Bureau  
June 2016**







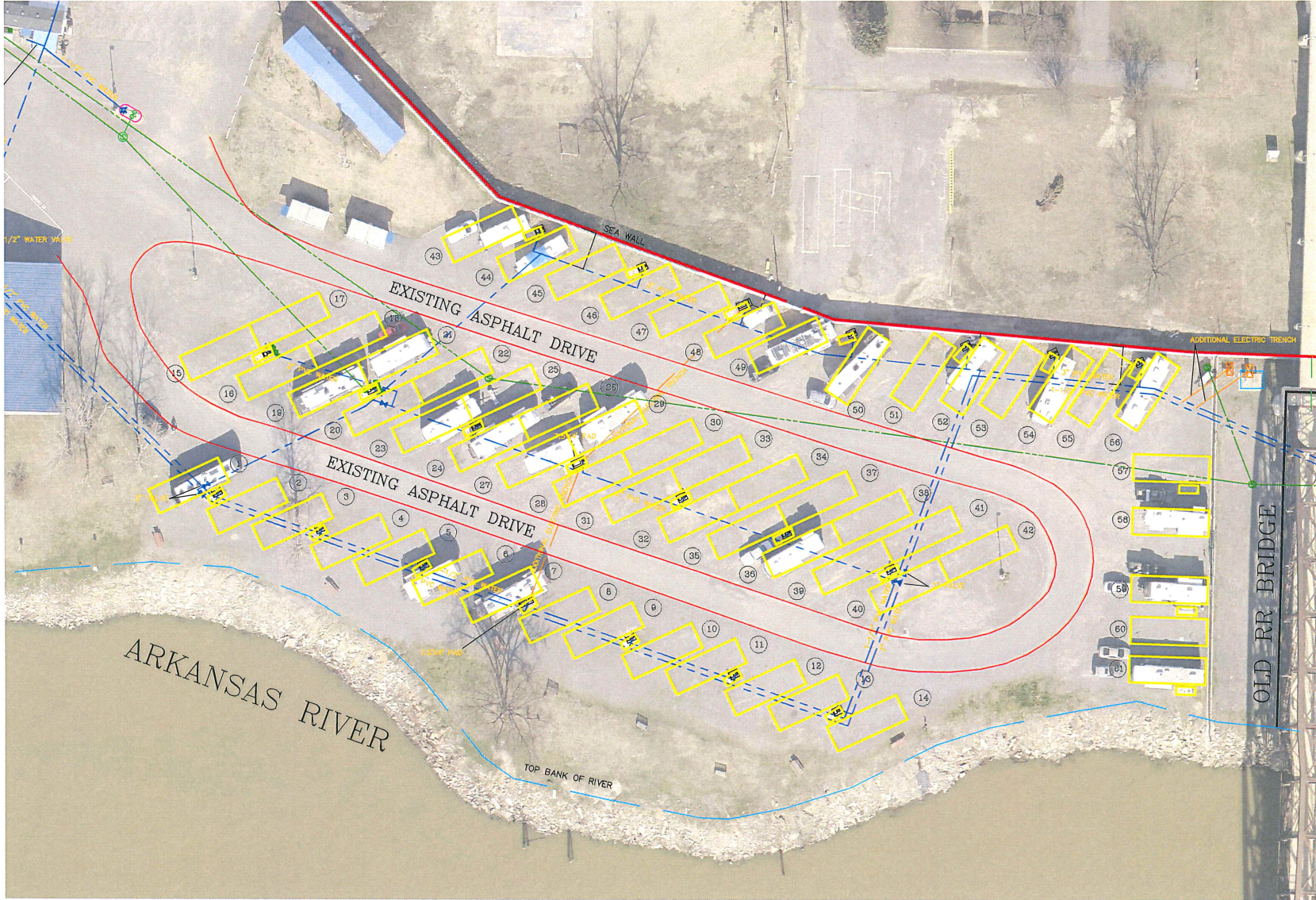
CITY OF NORTH LITTLE ROCK  
 Engineering Department  
 500 WEST 13TH STREET  
 NORTH LITTLE ROCK, AR 72114

RV PARK - NEW CONCRETE  
 PARKING PADS

CONC PAD  
 LAYOUT  
 ALT. NO. 1

DATE: 6/2016  
 DESIGNED BY: MCK  
 DRAWN BY: MCK  
 SCALE: 1" = 50'

SHEET NUMBER  
**2**







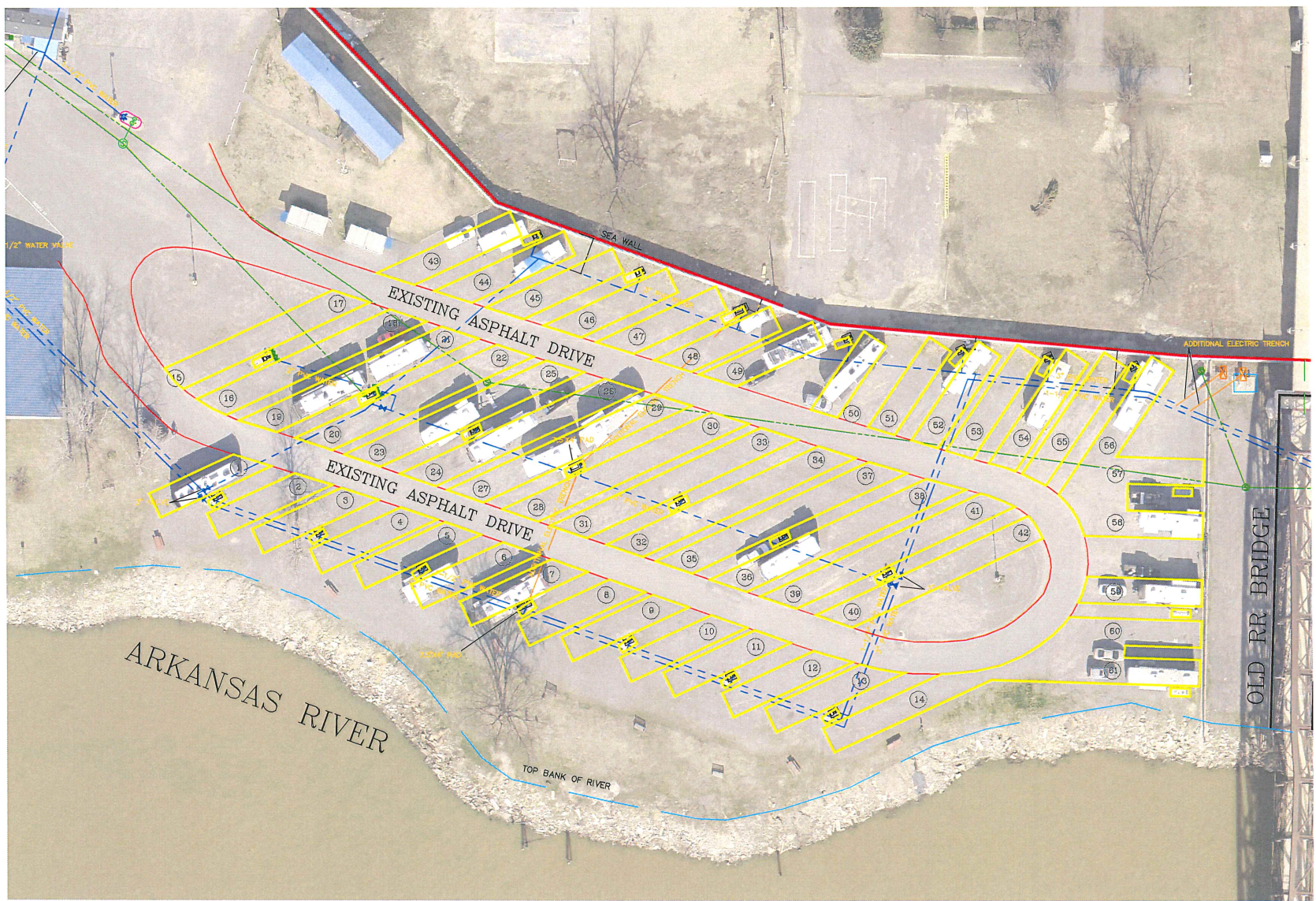
CITY OF NORTH LITTLE ROCK  
Engineering Department  
500 WEST 13TH STREET  
NORTH LITTLE ROCK, AR 72114

RV PARK - NEW CONCRETE  
PARKING PADS

CONC PAD  
LAYOUT  
ALT. NO. 2

DATE: 6/2016  
DESIGNED BY: MCK  
DRAWN BY: MCK  
SCALE: 1" = 50'

SHEET NUMBER  
**3**





CITY OF NORTH LITTLE ROCK  
Engineering Department  
NORTH LITTLE ROCK, AR 72114  
500 WEST 13TH STREET

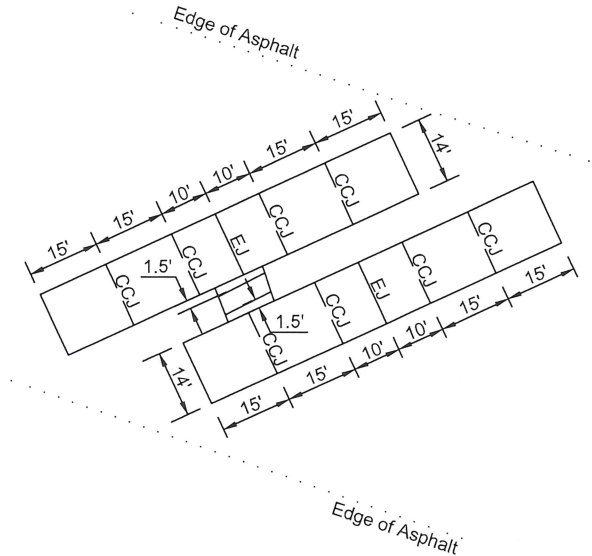
RV PARK - NEW CONCRETE  
PARKING PADS

CONC. JOINT  
LAYOUT PLANS

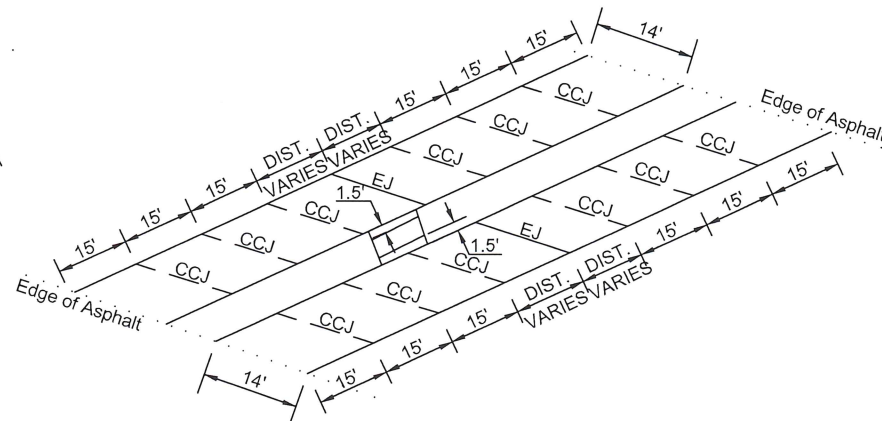
DATE: 6/2016  
DESIGNED BY: MCK  
DRAWN BY: MCK  
SCALE: NONE

SHEET NUMBER

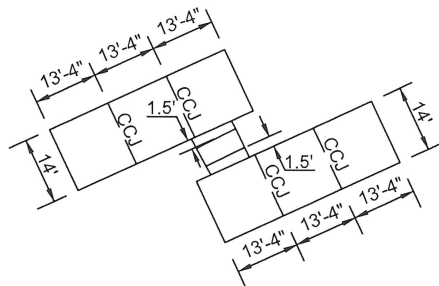
4



TYP. ALT. NO. 1 CONC. JOINT LAYOUT - CENTER SECTION  
N.T.S.



TYP. ALT. NO. 2 CONC. JOINT LAYOUT - CENTER SECTION  
N.T.S.



TYP. 14'X40' CONC. JOINT LAYOUT  
N.T.S.

NOTE:  
CCJ - CRACK CONTROL JOINT  
EJ - EXPANSION JOINT



## GENERAL SPEC. NOTES:

1. CONCRETE SHALL HAVE A SPECIFIED COMPRESSIVE STRENGTH OF 4,000 PSI UNLESS OTHERWISE NOTED AND MEET REQUIREMENTS OF ACI 318 "BUILDING CODE REQUIREMENTS FOR STRUCTURAL CONCRETE", LATEST EDITION.
2. THE CONTRACTOR SHALL SUBMIT A CONCRETE MIX DESIGN TO THE CITY ENGINEER FOR REVIEW AND APPROVAL PRIOR TO THE START OF CONSTRUCTION.
3. CONCRETE CYLINDER TESTS MEETING THE REQUIREMENTS OF ACI SHALL BE TAKEN AND TESTED BY THE CONTRACTOR FOR EVERY 50 CUBIC YARDS OF CONCRETE POURED OR AS DIRECTED BY THE CITY ENGINEER. TEST CYLINDERS SHALL BE PAID FOR BY THE CONTRACTOR.
4. NON-PRESTRESSED CONCRETE REINFORCEMENT SHALL CONFORM TO ASTM A615, GRADE 60. ARRANGEMENT AND BENDING OF REINFORCING STEEL SHALL CONFORM TO ACI 318 AND ACI 315 AND BE IN ACCORDANCE WITH ACI DETAILING MANUAL, LATEST EDITION.
5. WELDED WIRE REINFORCING (WWR) SHALL CONFORM TO ASTM A185, GRADE 65. WWR USED SHALL BE 6X6XW2.9XW2.9 AND SUPPLIED IN FLAT SHEETS WITH PROPER REINFORCING CHAIR SUPPORTS. WWR ROLLS SHALL NOT BE ALLOWED.
6. REINFORCEMENT LAP SPLICES SHALL CONFORM TO THE MINIMUM REQUIRED BY ACI 318.
7. CONTRACTOR SHALL USE AN APPROVED POLYURETHANE JOINT SEALANT. CONTRACTOR SHALL SUBMIT JOINT SEALANT SPECIFICATIONS TO THE CITY ENGINEER FOR REVIEW AND APPROVAL PRIOR TO THE START OF CONSTRUCTION.
8. FIELD DENSITY TESTING SHALL BE AS REQUIRED BY THE CITY ENGINEER. COST ASSOCIATED WITH DENSITY TESTING SHALL BE PAID FOR BY THE CITY.
9. WHEN EXCAVATING TO FINISHED SUBGRADE ELEVATION, THE CONTRACTOR MAY TEMPORARILY STOCKPILE EXISTING BASE COURSE AGGREGATE (CLASS 7) TO REUSE. EXISTING AGGREGATE BASE COURSE (CLASS 7) SHALL BE FREE OF FOREIGN SEDIMENT/MATERIALS.
10. ALL CONSTRUCTION JOINTS SHOWN ON THE STRUCTURAL DRAWINGS SHALL BE INCORPORATED INTO THE CONCRETE PADS. ADDITIONAL CONSTRUCTION JOINTS TO ACCOMMODATE CONSTRUCTION SHALL BE SUBMITTED TO THE CITY ENGINEER FOR REVIEW AND APPROVAL.
11. ALL EXPOSED CONCRETE EDGES SHALL HAVE A 3/4" CHAMFERED.
12. NO REINFORCING BAR SHALL BE WELDED OR FIELD BENT IN ANY MANNER, UNLESS SPECIFICALLY SHOWN/NOTED ON THE DRAWINGS OR APPROVED BY THE ENGINEER.
13. IN COORDINATION WITH THE RV PARK MANAGEMENT, THE CONTRACTOR SHALL NEGOTIATE/SUBMIT TO THE CITY ENGINEER FOR APPROVAL A SCHEDULE AND SEQUENCE OF CONCRETE PLACEMENT.



CITY OF NORTH LITTLE ROCK  
Engineering Department  
500 WEST 13TH STREET  
NORTH LITTLE ROCK, AR  
72114

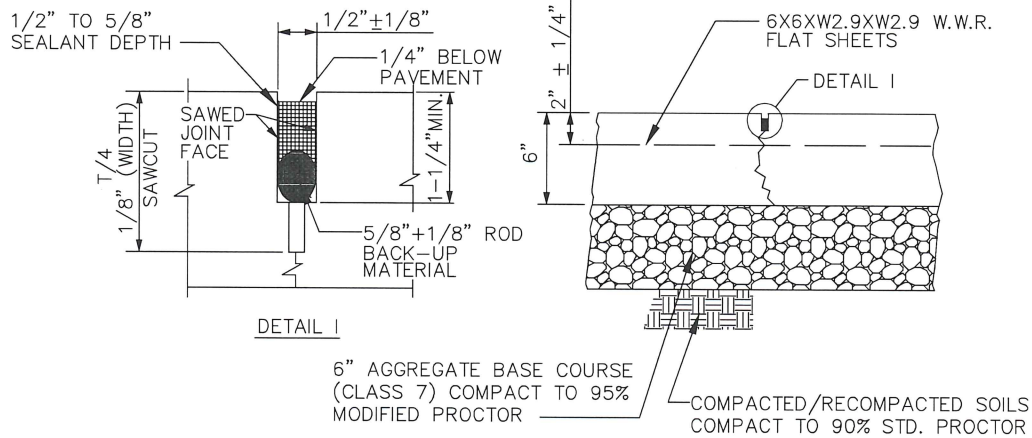
RV PARK – NEW CONCRETE  
PARKING PADS

GEN. SPECS.  
NOTES

DATE: 6/2016  
DESIGNED BY: DCW  
DRAWN BY: DCW  
SCALE: NONE

SHEET NUMBER

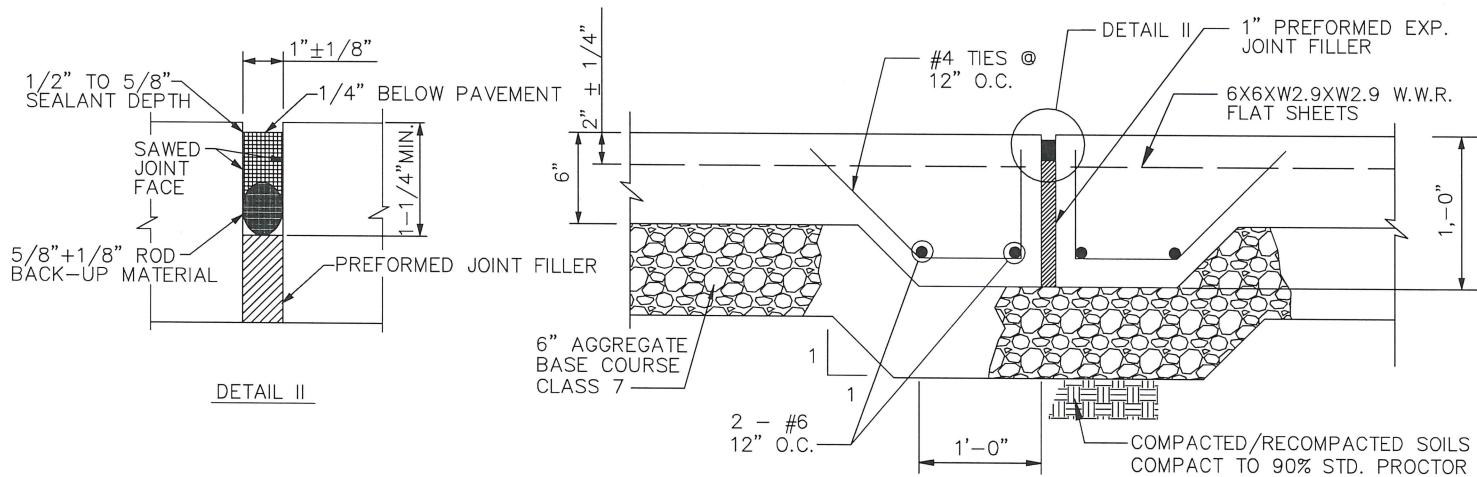
5



TYP. CRACK CONTROL JOINT (CCJ) DETAIL

SCALE: NTS

NOTE: CCJ MAXIMUM SPACING = 15'-0"



TYP. EXPANSION JOINT (EJ) DETAIL

SCALE: NTS



CITY OF NORTH LITTLE ROCK  
Engineering Department  
NORTH LITTLE ROCK, AR  
500 WEST 13TH STREET

72114

RV PARK - NEW CONCRETE  
PARKING PADS

JOINT DTLS.

DATE: 6/2016  
DESIGNED BY: DCW  
DRAWN BY: DCW  
SCALE: NONE

SHEET NUMBER

6