

CITY OF NORTH LITTLE ROCK, ARKANSAS  
COMMERCE DEPARTMENT  
Mary Beth Bowman, Director  
Amy Smith, Assistant Director for Procurement  
Crystal Willis, Admin. Sect./Assistant Purchasing Agent



120 MAIN STREET, North Little Rock, AR 72114  
P.O. BOX 5757, North Little Rock, AR 72119  
501-975-8881 Phone  
501-975-8885 Fax

### INVITATION TO BID/PROPOSAL COVER SHEET

Bid Number : 17-3476 Date Issued: July 19, 2017

**REVISED** Date & Time Bid Opening: Tuesday, July 25, 2017 at 10:00 a.m.

## Street & Utility Improvements 4<sup>th</sup>, 5<sup>th</sup>, Poplar and Magnolia Addendum #2

### Light Pole Foundation and Cut Sheets

- Please direct technical questions and/or comments to: Chris Wilbourn at 501-340-8333.
- General questions should be directed to the Commerce Department at 501-975-8881.
- A bid security in the amount of five percent (5%) of the Base Proposal must accompany each proposal.

Responses to relevant questions will be posted on the Commerce web page at [www.nlr.ar.gov](http://www.nlr.ar.gov), click on the tab "Business", click on "Bids and Vendors" and then click on "Current Bids".

The City of North Little Rock encourages participation of small, minority, and woman own business enterprises in the procurement of goods, services, professional services, and construction, either as a general contractor or sub-contractor. It is further requested that whenever possible, majority contractors who require sub-contractors, seek qualified small, minority, and woman businesses to partner with them.

If you are obtaining this bid from our website, please be reminded that addendums may occur. It is therefore advisable that you review our listings for attachments including any changes to the bid.

---

#### Acknowledgement of Addendum

Upon signing this page, the organization certifies that they have read and agree to the requirements set forth in this bid including conditions set forth and pertinent information requests.

Name of Firm: \_\_\_\_\_ Phone No.: \_\_\_\_\_

Tax I.D. #: \_\_\_\_\_

Business Address: \_\_\_\_\_

Signature of Authorized Person: \_\_\_\_\_

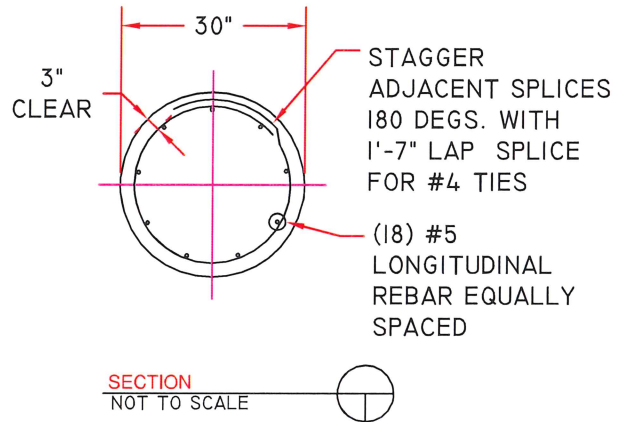
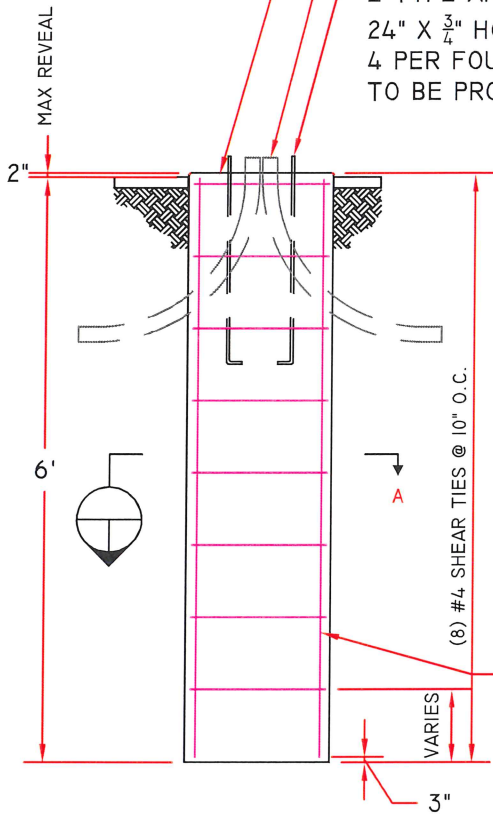
Title: \_\_\_\_\_ Date: \_\_\_\_\_, 2017

**UNSIGNED COVER SHEETS STATEMENTS WILL BE REJECTED**

FOUNDATION MUST BE LEVEL AND SMOOTH

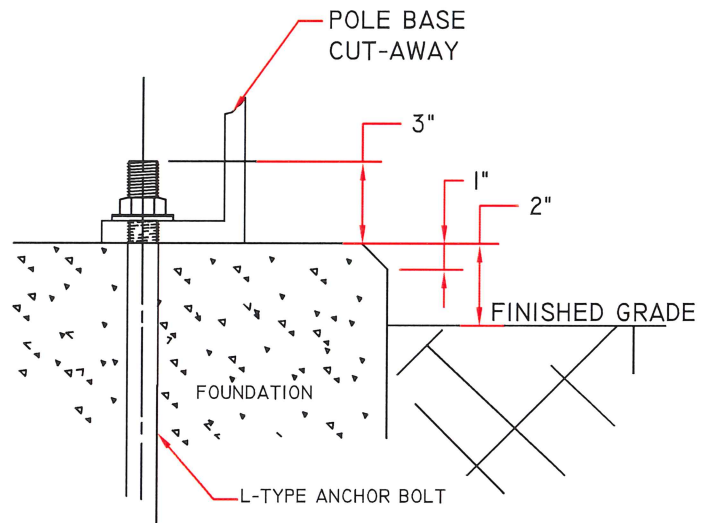
CONDUIT MUST BE 2" SCH 40 PVC STUBBED UP IN CENTER OF FOUNDATION

L-TYPE ANCHOR BOLTS  
24" X 3/4" HOT DIP GALVANIZED  
4 PER FOUNDATION  
TO BE PROVIDED BY CONTRACTOR

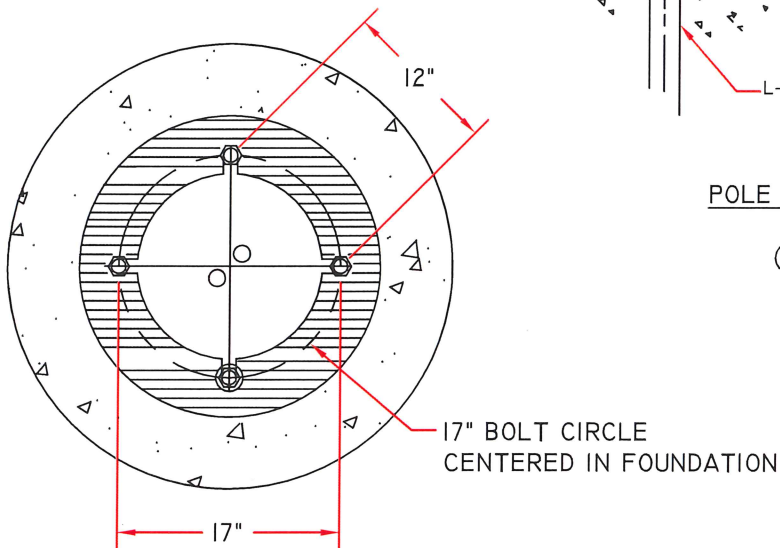


**ELEVATION**  
**DRILLED SHAFT FOUNDATION**  
(NOT TO SCALE)

MAP SYMBOL

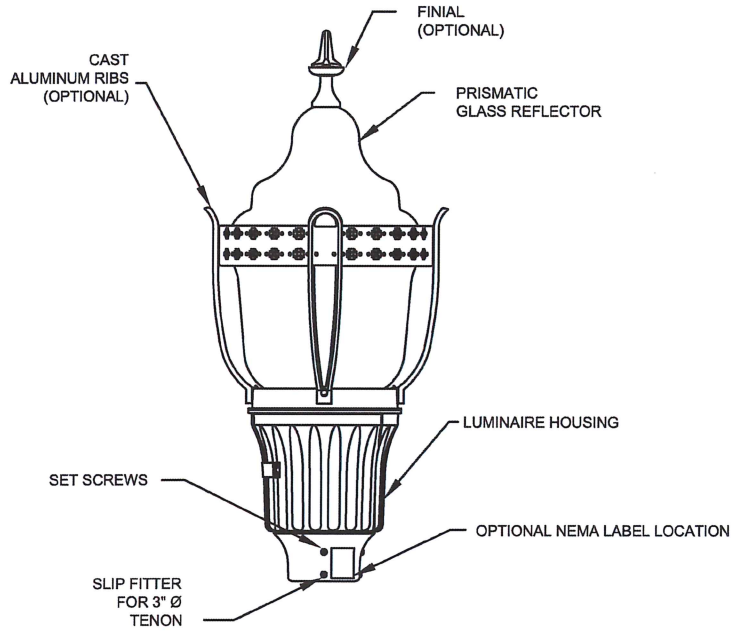
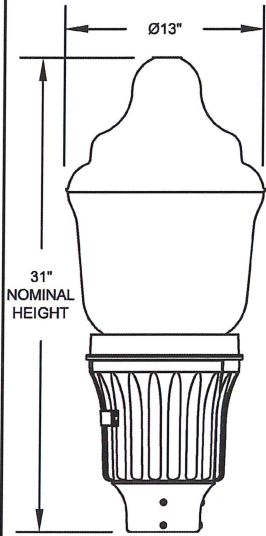


**POLE BASE & FOUNDATION**  
**CUT-AWAY**  
(NOT TO SCALE)



17" BOLT CIRCLE  
CENTERED IN FOUNDATION

Maximum weight - 47 lbs  
Maximum effective projected area - 1.38 sq. ft.



\*drawing depicting base model no finial.

**GranVille® II LED**  
Prismatic Style: Glass Classic  
Housing Size: Utility

**DECORATIVE  
OUTDOOR**

**ORDERING INFORMATION:**

**GVD2**

HOUSING  
GVD2 = GRANVILLE  
CLASSIC UTILITY

LED PERFORMANCE PACKAGE  
(SEE PRODUCT COMPATIBILITY  
TABLE FOR OPTIONS)  
P10 = AS=26W / AH=33W  
P20 = AS=39W / AH=49W  
P30 = AS=60W / AH=68W  
P40 = AS=81W / AH=90W  
P50 = AS=100W / AH=100W

COLOR TEMPERATURE  
30K = 3000 K CCT  
40K = 4000 K CCT  
50K = 5000 K CCT

HOUSING  
M = MODERN STYLE  
SWING OPEN DESIGN  
T = LEAF STYLE SWING  
OPEN DESIGN

VOLTAGE  
AS = AUTO-SENSING VOLTAGE  
(120 THRU 277 V)  
AH<sup>1</sup> = AUTO-SENSING VOLTAGE  
(347 THRU 480 V)

HOUSING COLORS  
BK = BLACK  
BZ = BRONZE  
GH = GRAPHITE  
GN = GREEN  
GR = GREY  
PP = PRIME PAINT  
WH = WHITE  
CMC = CUSTOM MATCH  
COLOR  
TDC = TIGER DRYLAC  
COLOR (RALxxx)  
XX = STD FINISH, TBD

OPTICS  
(SEE PRODUCT  
COMPATIBILITY TABLE  
FOR OPTIONS)  
3 = IES TYPE III  
DISTRIBUTION  
5 = IES TYPE V  
DISTRIBUTION  
6 = IES TYPE III  
LUNAR OPTIC  
8 = IES TYPE V  
LUNAR OPTIC

FINIAL  
B = BALL  
C = CLEAR  
E = EAGLE  
F = FLOWER  
N<sup>2</sup> = NONE  
P = PAWN  
R = CROSS  
S = STANDARD  
T = ROM CROSS

TRIM/FINIAL COLORS  
BK = BLACK  
BZ = BRONZE  
GL = GOLD  
GH = GRAPHITE  
GN = GREEN  
GR = GREY  
PP = PRIME PAINT  
WH = WHITE  
CMC = CUSTOM  
MATCH COLOR  
TDC = TIGER DRYLAC  
COLOR (RALxxx)  
XX = STD FINISH, TBD  
U<sup>2</sup> = NO TRIM & CLEAR  
OR NO FINIAL

TRIM  
R = RIBS & BAND  
N = NO TRIM  
S = SYRACUSE STYLE WITH COVER  
(M HOUSING ONLY)

**OPTIONS**

**CONTROL OPTIONS**

AO<sup>4</sup> = FIELD ADJUSTABLE OUTPUT  
DE<sup>5</sup> = ROAM 0 - 10V DIMMING CONTROL, INCLUDES NEMA TWISTLOCK  
PHOTOCONTROL RECEPTACLE  
FPDxx<sup>6</sup> = FACTORY PROGRAMMED DRIVER (xx = % OF LUMENS OR WATTS)  
H<sup>7</sup> = NEMA TWISTLOCK PHOTOCONTROL (PC) RECEPTACLE - 3 PIN  
P5<sup>8</sup> = DIMMING PC RECEPTACLE - 5 PIN  
P7<sup>9</sup> = DIMMING PC RECEPTACLE - 7 PIN  
PCLL<sup>10</sup> = LONG LIFE DTL TWISTLOCK PHOTOCONTROL FOR SOLID STATE  
PCS<sup>11</sup> = DTL TWISTLOCK PHOTOCONTROL FOR SOLID STATE  
PND<sup>12</sup> = 0-10V PART-NIGHT DIMMING, INCLUDES BLC2 & NEMA TWISTLOCK  
PHOTOCONTROL RECEPTACLE  
PSC<sup>13</sup> = SHORTING CAP

**COVER OPTIONS**

F<sup>14</sup> = FULL COVER M<sup>15</sup> = MAYFIELD 1/2 COVER

**NEMA WATTAGE LABEL OPTIONS**

NL1X1 = 1 X 1 NEMA LABEL NL2X2 = 2 X 2 NEMA LABEL

**PREWIRE LEAD OPTIONS**

L1H = 1.5 FEET OF PREWIRED LEADS L20 = 20 FEET OF PREWIRED LEADS  
L03 = 3 FEET OF PREWIRED LEADS L25 = 25 FEET OF PREWIRED LEADS  
L10 = 10 FEET OF PREWIRED LEADS L30 = 30 FEET OF PREWIRED LEADS

**ACCESSORIES**

**DECORATIVE BAND OPTIONS**

GVBANDX<sup>16</sup> = DECORATIVE BAND (INSERT TRIM FINISH  
FOR X), FOR EXAMPLE: GVBANDBK (BLACK)

**HOUSE SIDE SHIELD OPTIONS**

GVDHSS90<sup>17</sup> = HOUSE SIDE SHIELD SOLID 90 DEGREE  
GVDHSS12<sup>17</sup> = HOUSE SIDE SHIELD SOLID 120 DEGREE  
GVDHSS18<sup>17</sup> = HOUSE SIDE SHIELD SOLID 180 DEGREE  
GVDHSL90<sup>18</sup> = HOUSE SIDE SHIELD SOLID 90 DEGREE (LUNAR)  
GVDHSL12<sup>18</sup> = HOUSE SIDE SHIELD SOLID 120 DEGREE (LUNAR)  
GVDHSL18<sup>18</sup> = HOUSE SIDE SHIELD SOLID 180 DEGREE (LUNAR)



THIS DRAWING, WHEN APPROVED, SHALL BECOME THE COVER SHEET. SPECIFICATION FOR THE MATERIAL TO BE FURNISHED BY HOLOPHANE ON THE ORDER NOTED ABOVE. A UNIT OF SIMILAR DESIGN MAY BE SUPPLIED, BUT ONLY AFTER APPROVAL BY THE CUSTOMER IN WRITING. HOLOPHANE ASSUMES NO LIABILITY FOR THE MATERIAL BE SUPPLIED WITH THIS DRAWING. HOLOPHANE ASSUMES NO LIABILITY LOANED SUBJECT TO RETURN UPON DEMAND AND UPON EXPRESS CONDITION THAT IT WILL NOT BE USED DIRECTLY OR INDIRECTLY IN CONNECTION WITH MATERIAL FURNISHED BY HOLOPHANE.

ORDER #: \_\_\_\_\_  
TYPE: \_\_\_\_\_  
DRAWN: RAF  
DATE: 6-16-2016  
DWG #: LUM\_GVD2U

NOTES ARE LOCATED ON PAGE 3

# Performance Data

## AS Voltage Option Data

LED Package	Distribution	System Watts	30K (3000K, 70 CRI)					40K (4000K, 70 CRI)					50K (5000K, 70 CRI)				
			Lumens	LPW	B	U	G	Lumens	LPW	B	U	G	Lumens	LPW	B	U	G
P10	3	26	3,024	116	1	3	3	3,180	122	1	3	3	3,180	122	1	3	3
	5	26	3,023	116	2	3	2	3,179	122	2	3	2	3,179	122	2	3	2
P20	3	39	4,990	128	2	4	4	5,247	135	2	4	4	5,247	135	2	4	4
	5	39	4,988	128	3	4	3	5,245	134	3	4	3	5,245	134	3	4	3
P30	3	60	7,076	118	2	5	4	7,440	124	2	5	4	7,440	124	2	5	4
	5	60	7,074	118	3	4	3	7,438	124	3	5	3	7,438	124	3	5	3
P40	3	81	8,847	109	3	5	5	9,303	115	3	5	5	9,303	115	3	5	5
	5	81	8,845	109	3	5	4	9,300	115	4	5	4	9,300	115	4	5	4
P50	3	100	10,359	104	3	5	5	10,892	109	3	5	5	10,892	109	3	5	5
	5	100	10,356	104	4	5	4	10,889	109	4	5	4	10,889	109	4	5	4

## AH Voltage Option Data

LED Package	Distribution	System Watts	30K (3000K, 70 CRI)					40K (4000K, 70 CRI)					50K (5000K, 70 CRI)				
			Lumens	LPW	B	U	G	Lumens	LPW	B	U	G	Lumens	LPW	B	U	G
P10	3	33	3,024	92	1	3	3	3,180	96	1	3	3	3,180	96	1	3	3
	5	33	3,023	92	2	3	2	3,179	96	2	3	2	3,179	96	2	3	2
P20	3	49	4,990	102	2	4	4	5,247	107	2	4	4	5,247	107	2	4	4
	5	49	4,988	102	3	4	3	5,245	107	3	4	3	5,245	107	3	4	3
P30	3	68	7,076	104	2	5	4	7,440	109	2	5	4	7,440	109	2	5	4
	5	68	7,074	104	3	4	3	7,438	109	3	5	3	7,438	109	3	5	3
P40	3	90	8,847	98	3	5	5	9,303	103	3	5	5	9,303	103	3	5	5
	5	90	8,845	98	3	5	4	9,300	103	4	5	4	9,300	103	4	5	4
P50	3	100	10,359	104	3	5	5	10,892	109	3	5	5	10,892	109	3	5	5
	5	100	10,356	104	4	5	4	10,889	109	4	5	4	10,889	109	4	5	4

## FPDxx Data Table (Only Available With AS Option)

FPDxx setting		P10 30K Not Available		P10 40K Not Available		P10 50K Not Available	
FPDxx setting	AS Wattage	P20 30K		P20 40K		P20 50K	
Standard	39	4,990	4,988	5,247	5,245	5,247	5,245
FPD95	38	4,770	4,768	5,016	5,014	5,016	5,014
FPD90	36	4,546	4,545	4,781	4,779	4,781	4,779
FPD85	34	4,320	4,318	4,543	4,541	4,543	4,541
FPD80	32	4,091	4,089	4,301	4,300	4,301	4,300
FPD75	30	3,858	3,856	4,057	4,055	4,057	4,055
FPDxx setting	AS Wattage	P30 30K		P30 40K		P30 50K	
Standard	60	7,076	7,074	7,440	7,438	7,440	7,438
FPD95	57	6,897	6,895	7,252	7,250	7,252	7,250
FPD90	54	6,696	6,694	7,040	7,038	7,040	7,038
FPD85	51	6,473	6,471	6,806	6,804	6,806	6,804
FPD80	48	6,229	6,227	6,549	6,547	6,549	6,547
FPD85	45	5,964	5,963	6,271	6,269	6,271	6,269
FPDxx setting	AS Wattage	P40 30K		P40 40K		P40 50K	
Standard	81	8,847	8,845	9,303	9,300	9,303	9,300
FPD95	76	8,549	8,547	8,989	8,986	8,989	8,986
FPD90	72	8,233	8,231	8,657	8,654	8,657	8,654
FPD85	68	7,900	7,898	8,307	8,304	8,307	8,304
FPD80	64	7,549	7,547	7,938	7,936	7,938	7,936
FPDxx setting	AS Wattage	P50 30K		P50 40K		P50 50K	
Standard	100	10,359	10,356	10,892	10,889	10,892	10,889
FPD95	95	10,097	10,094	10,616	10,613	10,616	10,613
FPD90	90	9,802	9,799	10,306	10,304	10,306	10,304
FPD85	85	9,476	9,473	9,963	9,960	9,963	9,960

**GranVille II LED**  
Prismatic Style: Glass Classic  
Housing Size: Utility

DECORATIVE  
OUTDOOR



THIS DRAWING, WHEN APPROVED, SHALL BECOME THE COMPLETE SPECIFICATION FOR THE MATERIAL TO BE FURNISHED BY HOLOPHANE ON THE ORDER NOTED ABOVE. A UNIT OF SIMILAR DESIGN MAY BE SUPPLIED, BUT ONLY AFTER APPROVAL BY THE CUSTOMER IN WRITING. THIS DRAWING IS THE PROPERTY OF HOLOPHANE AND IS LOANED SUBJECT TO RETURN UPON DEMAND AND UPON EXPRESS CONDITION THAT IT WILL NOT BE USED DIRECTLY OR INDIRECTLY IN CONNECTION WITH MATERIAL FURNISHED BY HOLOPHANE.  
© 2009 Acuity Brands Lighting, Inc., All Rights Reserved

ORDER #: \_\_\_\_\_  
TYPE: \_\_\_\_\_  
DRAWN: RAF  
DATE: 6-16-2016  
DWG #: LUM\_GVD2U



# NOTES

1. Not available with "AO", "DE", "FPDXX", "PCLL", "PCS" or "PND".
2. Not available with cover options "F" or "M".
3. Only use if "N" for Trim and either "C" or "N" for Finial is selected.
4. Not available with "AH", "DE", "P5", "P7", "PCS" or "PND". Refer to instructions on website for details.
5. Not available with "AO", "AH", "H", "PCLL", "PCS", "PSC" or "PND".
6. Refer to the FPDxx Data Table for lumens and wattages options.
7. Photocontrol not included. "AS" (120-277) only. Not available with option "DE", "PND", "P5" or "P7".
8. Photocontrol not included. Not available with options "DE", "H", "PND" and "P7".
9. Photocontrol not included. Not available with options "DE", "H", "PND" and "P5".
10. Requires "H", "P5", "P7" or "PND". Not available with "AO", "PCS" or "PSC" options.
11. Available with "AS" voltage only. Requires "H", "P5", "P7" or "PND". Not available with "AO", "PCLL" or "PSC" options.
12. Available with "AS" voltage only. Not available with options "AO", "DE", "H", "P5" and "P7".
13. Requires "H", "P5" or "P7" option photocontrol receptacle or "PND" (includes photocontrol receptacle). Not available with "PCLL" or "PCS".
14. Not available with "N" finial option or "M" option.
15. Not available with "N" finial option or "F" option.
16. Field installed. For use with units without factory installed ribs and band. X = Trim/Finial Color.
17. Field installed, for use with Optic "3" or "5" only.
18. Field installed, for use with Optic "6" or "8" only.

**GranVille® II LED**  
**Prismatic Style: Glass Classic**  
**Housing Size: Utility**

**DECORATIVE**  
**OUTDOOR**

## Product Compatibility Table

LUMINAIRE, HOUSING & LED PACKAGE CONFIGURATIONS			
LUMINAIRE	HOUSING		LED PACKAGE
GVD2	M	Modern style - Swing open design	P10, P20, P30, P40, P50
	T	Leaf Style - Swing open design	

WATTAGE TABLE		
LED PACKAGE	AS	AH
P10	26W	33W
P20	39W	49W
P30	60W	68W
P40	81W	90W
P50	100W	100W

OPTICS/HOUSING/LED CONFIGURATION		
OPTICS	HOUSING	LED PACKAGE
3	A, C, F, L, S, M, T	P10, P20, P30, P40, P50
5		
6	A, C, F, L, S, M, T	P10, P20, P30, P40
8		

**HOLOPHANE®**  
 LEADER IN LIGHTING SOLUTIONS  
 An Acuity Brands Company  
 © 2009 Acuity Brands Lighting, Inc. All Rights Reserved

## Lumen Ambient Temperature (LAT) Multipliers

Use these factors to determine relative lumen output for average ambient temperatures from 0-40°C (32-104°F).

Average Lumen Ambient Temperature (LAT) Multipliers			
°C	°F	Lumen Multiplier	LED Packages
0	32	1.06	P10, P20, P30, P40, P50
5	41	1.05	
10	50	1.04	
15	59	1.03	
20	68	1.01	
25	77	1.00	
30	86	0.99	
35	95	0.97	
40	104	0.96	

## Projected LED Lumen Maintenance

Data references the extrapolated performance projections for the platforms noted in a 25°C ambient, based on 10,000 hours of LED testing (tested per IESNA LM-80-08 and projected per IESNA TM-21-11).

To calculate LLF, use the lumen maintenance factor that corresponds to the desired number of operating hours below. For other lumen maintenance values, contact factory.

Lumen Maintenance - LLD (same for all LED packages)							
Hours	0	25,000	36,000	50,000	60,000	75,000	100,000
Factor	1	0.93	0.93	0.92	0.91	0.9	0.89

The italicized data is extrapolated beyond the TM-21 standard.

$$E = (LM) \times (CU) \times (LAT) \times (LLD)$$

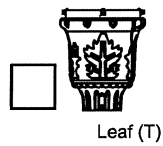
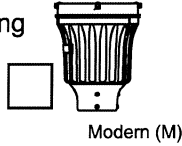
LM and CU are obtained from published photometry.

THIS DRAWING, WHEN APPROVED, SHALL BECOME THE COMPLETE SPECIFICATION FOR THE MANUFACTURE OF THE LUMINAIRE DESCRIBED BY HOLOPHANE ON THE ORDER NOTED ABOVE. HOLOPHANE SHALL BE RESPONSIBLE FOR THE LUMINAIRE SUPPLIED, BUT ONLY AFTER APPROVAL BY THE CUSTOMER IN WRITING. ON POLE ORDERS AN ANCHOR BOLT TEMPLATE PRINT WILL BE SUPPLIED WITH EACH ANCHOR BOLT ORDER TO MATCH THE POLE ORDER. THE LUMINAIRE IS PROVIDED AS A LOANER AND IS NOT TO BE LOANED SUBJECT TO RETURN UPON DEMAND AND UPON EXPRESS CONDITION THAT IT WILL NOT BE USED DIRECTLY OR INDIRECTLY IN ANY WAY DETRIMENTAL TO OUR INTERESTS, AND ONLY IN CONNECTION WITH MATERIAL FURNISHED BY HOLOPHANE.

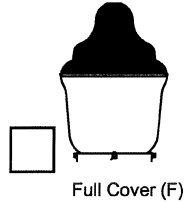
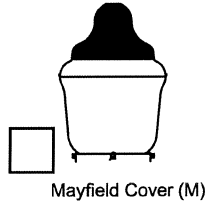
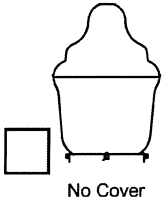
ORDER #: \_\_\_\_\_  
 TYPE: \_\_\_\_\_  
 DRAWN: RAF  
 DATE: 6-16-2016  
 DWG #: LUM\_GVD2U

## Mark Appropriate Box for Trim Option

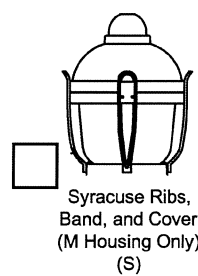
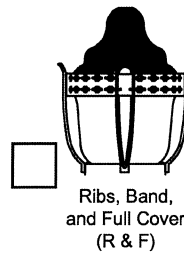
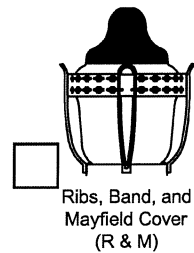
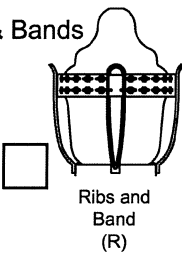
### Housing



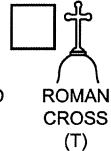
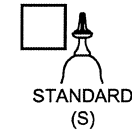
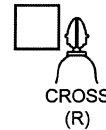
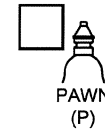
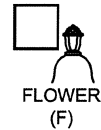
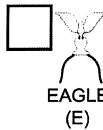
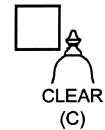
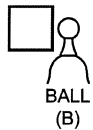
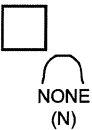
### Cover



### Ribs & Bands



### Finial



## Specifications

### GENERAL DESCRIPTION

The GranVille II LED Utility is designed for ease of maintenance with the plug-in electrical module common to each of the luminaires in Holophane's Utility Luminaire Series. The traditional acorn shaped luminaire, while reminiscent of the 1920's, contains a precision optical system that maximizes post spacings while maintaining uniform illumination.

### OPTICAL SYSTEM

The optical system consists of a precisely molded thermal resistant borosilicate glass refractor and top reflector mounted within the decorative aluminum housing. The glass top reflector redirects over 50% of the upward light into the controlling refractor while allowing a soft uplight component to define the traditional acorn shape of the luminaire. Two decorative aluminum covers are available. The lower refractor uses precisely molded prisms to maximize pole spacings while maintaining uniform illumination. Two refractors are available, designed for I.E.S. type III and V distributions. Lunar optics shielding is available for asymmetric and symmetric distribution.

### LUMINAIRE HOUSING

The luminaire housing, cast of aluminum, provides an enclosure for the plug-in electrical module. Four uniquely designed stainless steel spring clips enclosed in a clear polyvinyl chloride sleeve and adjusted by hex head 1/4-20 bolts securely cradle the prismatic glass refractor. The same 1/4-20 bolts support the decorative rib and banding assembly. The slipfitter will accept a 3" by 2-7/8" to 3-1/8" O.D. tenon.

### LUMINAIRE HOUSING / DOOR

Cast of aluminum, the housing opens with minimum use of tools and is retained on a hinge. For units with an E.E.I.-N.E.M.A. twist lock photocell receptacle, the housing contains a "window" to allow light to reach the cell.

### ELECTRICAL MODULE

The electrical components are mounted on a aluminum plate that is removable with minimum use of tools. A matching five conductor plug connects to the receptacle in the luminaire housing to complete the wiring. For photoelectric operation, the electrical module is provided with an E.E.I.-N.E.M.A. twist lock photocell receptacle.

### DRIVER

AS drivers are programmable dimmable drivers, with 0-10V control leads and AH drivers are dimmable (0-10V) drivers.

### FINISH

The luminaire is finished with polyester powder paint to insure maximum durability.

### WARRANTY

Limited warranty located at <http://www.acuitybrands.com/resources/terms-and-conditions>.

### NOTE

Luminaire is CSA listed for Wet Locations.

Luminaire housing is IP55 rated. Optical chamber is IP66 rated.

Specification subject to change without notice.

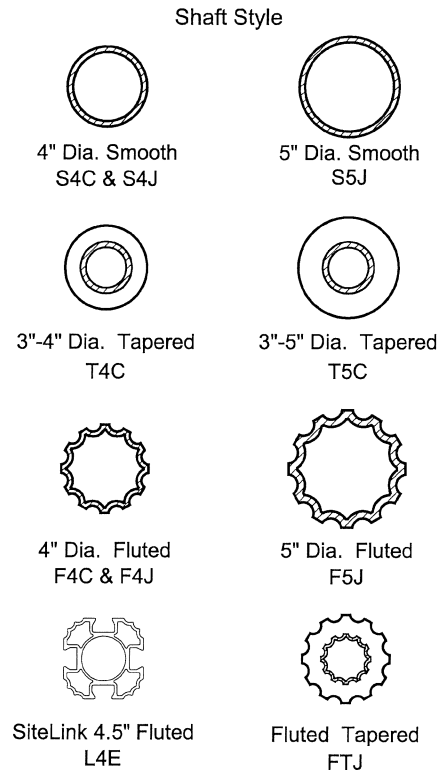
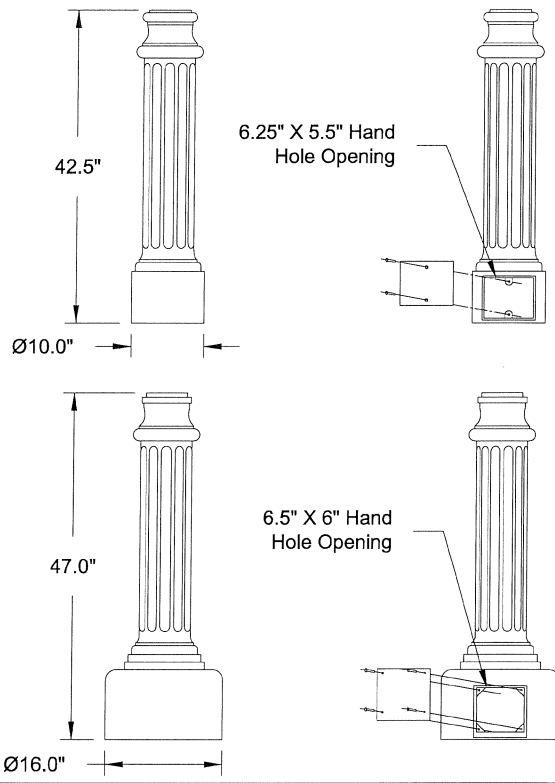
**GranVille® II LED**  
Prismatic Style: Glass Classic  
Housing Size: Utility

DECORATIVE  
OUTDOOR

**HOLOPHANE®**  
LEADER IN LIGHTING SOLUTIONS  
An Acuity Brands Company  
© 2009 Acuity Brands Lighting, Inc. All Rights Reserved

THIS DRAWING, WHEN APPROVED, SHALL BECOME THE COMPLETE CONTRACT FOR THE WORK DESCRIBED HEREIN. NO PART OF THE ORDER NOTED ABOVE IS VALID UNLESS IT IS ACCOMPANIED BY THE ORDER NOTED ABOVE. A UNIT OF SIMILAR DESIGN MAY BE SUPPLIED, BUT ONLY AFTER APPROVAL BY THE CUSTOMER IN WRITING. ON POLE ORDERS AN ANCHOR BOLT TEMPLATE PRINT WILL BE SUPPLIED WITH EACH ANCHOR BOLT ORDER TO MATCH THE POLE SPECIFICATIONS. THIS DRAWING IS THE PROPERTY OF HOLOPHANE AND IS LOANED SUBJECT TO RETURN UPON DEMAND AND UPON EXPRESS CONDITION THAT IT WILL NOT BE USED DIRECTLY OR INDIRECTLY IN ANY WAY DETRIMENTAL TO OUR INTERESTS, AND ONLY IN CONNECTION WITH MATERIAL FURNISHED BY HOLOPHANE.

ORDER #: \_\_\_\_\_  
TYPE: \_\_\_\_\_  
DRAWN: RAF  
DATE: 6-16-2016  
DWG #: LUM\_GVD2U



**HAMILTON**  
**Aluminum Pole**  
**Architectural**  
**Outdoor**

**ORDERING INFORMATION:**

 <b>HL</b> Post	 <b>A</b> Material	 Height	 Shaft Style
HL = Hamilton	A = Aluminum	08 = 8" 10 = 10" 12 = 12" 14 = 14" 16 = 16" 18 = 18" - (L4E Only)	FTJ = Fluted Tapered (Cast), .25 Wall F4C = 4" DIA. Fluted, .125 Wall F4J = 4" DIA. Fluted, .25 Wall F5J = 5" DIA. Fluted, .25 Wall L4E = SiteLink 4.5" Fluted, .156 Wall (10" Base Only) S4C = 4" DIA. Smooth, .125 Wall S4J = 4" DIA. Smooth, .25 Wall S5J = 5" DIA. Smooth, .25 Wall T4C = 3" to 4" DIA. Tapered, .125 Wall T5C = 3" to 5" DIA. Tapered, .125 Wall
 Base	 Tenon	 Mounting	 Finish
10 = 10" Round (TMP-58) (L4E = TMP40005) 16 = 16" Round (TMP-81)	P01 = POLE CAP P05 = 3" O.D. X 4" LG. P07 = 3" O.D. X 3" LG. P08 = 3" O.D. X 5" LG. P09 = 3" O.D. X 6" LG. P10 = 3" O.D. X 9" LG. P11 = 4.38 O.D. x 12" LG. (3" O.D. = ACTUAL SIZE IS 2.88" O.D.)	P12 = 3" O.D. X 12" LG. P13 = 3" O.D. X 8" LG. P14 = 3" O.D. X 14" LG. P15 = 3.5" O.D. X 8" LG. P16 = 4.5" O.D. X 10" LG. PT1 = VGC Plate	ABG = Anchor Bolts Galvanized Steel LAB = Less Anchor Bolts DBB = Direct Burial Base Galvanized Steel (10" Base = ADDB1R1) (16" Base = ADDB1R4) BK = Black BD = Dark Blue BZ = Bronze GH = Graphite GN = Green GR = Gray PP = Prime Painted SL = Silver WH = White

**SPECIFICATIONS**

**DESCRIPTION**

The lighting post shall be all aluminum, one-piece construction, with a classic tapered and fluted base design.

**MATERIALS**

The base and fluted tapered cast shaft shall be heavy wall, cast aluminum produced from certified ASTM 356.1 ingot per ASTM B-179-95a or ASTM B26-95. The straight shafts shall be extruded from aluminum, ASTM 6061 alloy, heat treated to a T6 temper. The tapered shaft shall be extruded from aluminum, ASTM 6063 alloy, spun to a tapered shape, then heat treated to a T6 temper. All hardware shall be tamper resistant stainless steel. Anchor bolts to be completely hot dip galvanized.

**CONSTRUCTION**

The shaft shall be double welded to the base casting and shipped as one piece for maximum structural integrity. The shaft shall be welded inside the base casting at the top of the access door, and externally where the shaft exits the base. All welding shall be per ANSI/AWS

**DIMENSIONS**

The post shall be X'- XX" in height with a 10" or 16" diameter base. The shaft diameter shall be XX". At the top of the post, an integral tenon with a transitional donut shall be provided for luminaire mounting.

**INSTALLATION**

The post shall be provided with four, hot dip galvanized L-type anchor bolts. A door shall be provided in the base for anchorage and wiring access. A grounding screw shall be provided inside the base opposite the door.

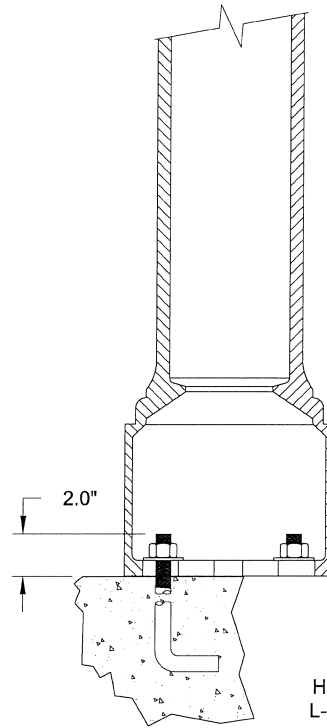
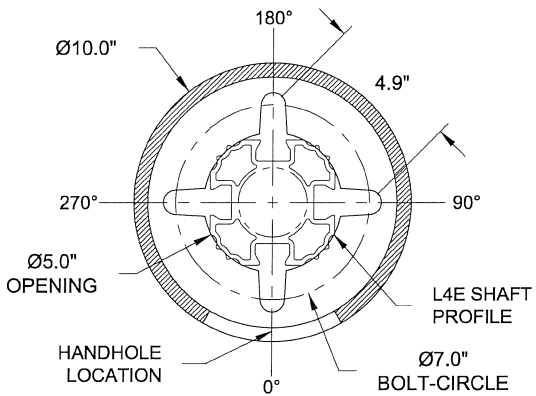
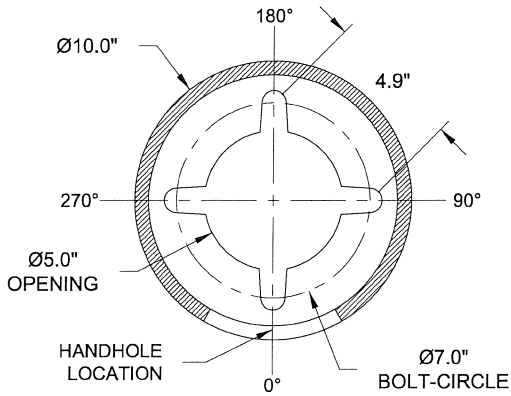
<sup>2</sup> - Replace "XXX" with height from grade (inches), can be up to 3 digits. Must use whole numbers. Leading zeros are not used. Replace Y with orientation from hand hole (A=0, B=90, C=180, D=270). Add multiple provisions as necessary to cover each location. Must validate EPA restrictions for banners.

**HOLOPHANE**  
 LEADER IN LIGHTING SOLUTIONS  
 An Acuity Brands Company  
 © 2010 Acuity Brands Lighting, Inc., All Rights Reserved

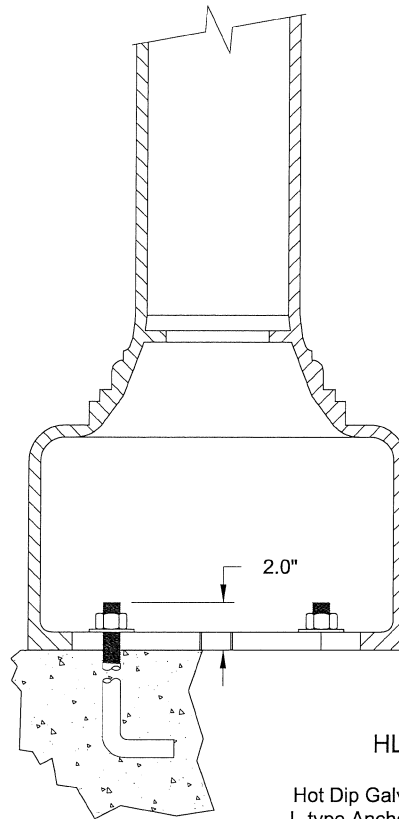
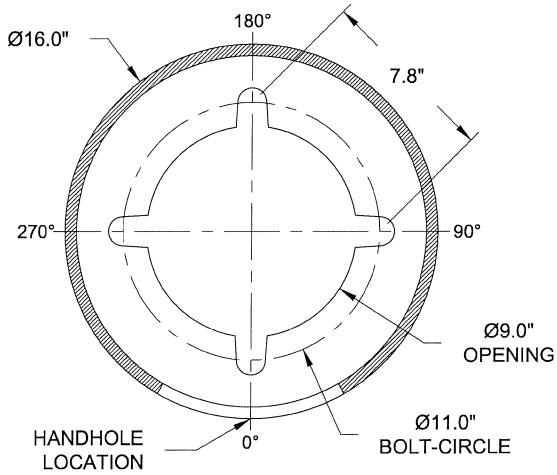
THIS DRAWING, WHEN APPROVED, SHALL BECOME THE SOLE REFERENCE SPECIFICATION FOR THE MATERIAL TO BE FURNISHED BY HOLOPHANE ON THE ORDER NOTED ABOVE. A UNIT OF SIMILAR DESIGN MAY BE SUPPLIED, BUT ONLY AFTER APPROVAL BY THE CUSTOMER IN WRITING. HOLOPHANE SHALL NOT BE RESPONSIBLE FOR MATERIALS NOT BE SUPPLIED WITH EACH ANCHOR BOLT OR ORDER TO MATCH THE POLYMER PROVIDED. THIS PRINT IS THE PROPERTY OF HOLOPHANE AND IS LOANED SUBJECT TO RETURN UPON DEMAND AND UPON EXPRESS WRITTEN REQUEST. HOLOPHANE SHALL NOT BE RESPONSIBLE IN ANY WAY DETRIMENTAL TO OUR INTERESTS, AND INDIRECTLY IN CONNECTION WITH MATERIAL FURNISHED BY HOLOPHANE.

ORDER #:	TYPE:	DRAWN:	DATE:	DWG #:
		ACH	03/22/11	POL_HLA

# ANCHORAGE GUIDE



HLA 10"  
 $\text{\O} 3/4''$   
 Hot Dip Galvanized  
 L-type Anchor Bolts  
 (4 per Post)



HLA 16"  
 $\text{\O} 3/4''$   
 Hot Dip Galvanized  
 L-type Anchor Bolts  
 (4 per Post)

HAMILTON<sup>TM</sup>  
 Aluminum Pole

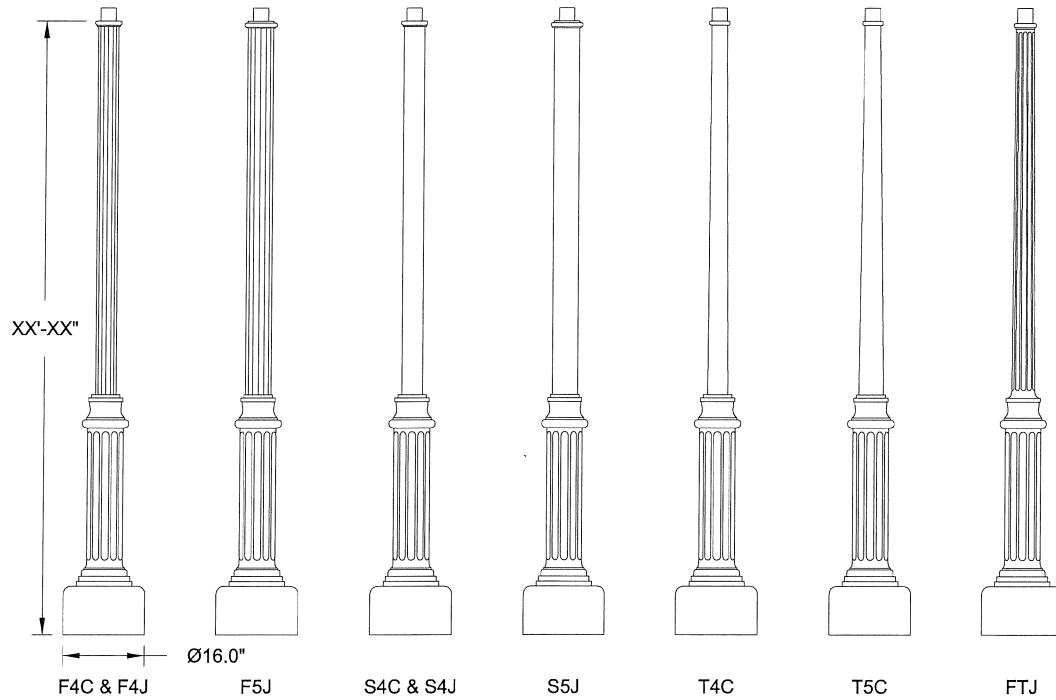
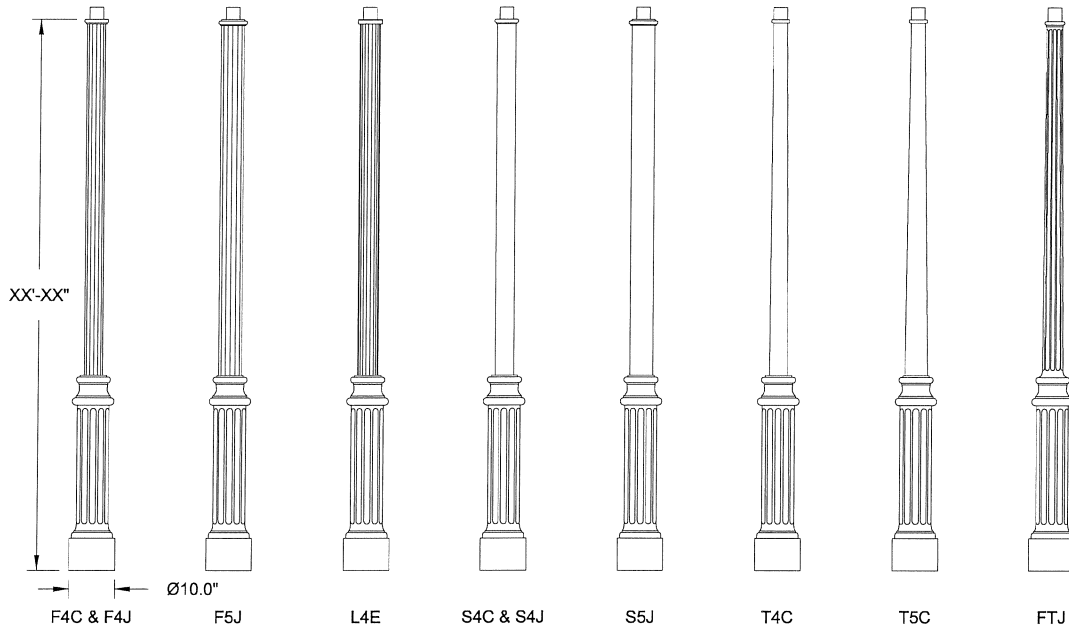
Architectural  
 Outdoor


**HOLOPHANE**<sup>®</sup>  
 LEADER IN LIGHTING SOLUTIONS  
 An Acuity Brands Company  
 © 2010 Acuity Brands Lighting, Inc., All Rights Reserved

THIS DRAWING, WHEN APPROVED, SHALL BECOME THE COMPLETE SPECIFICATION FOR THE WORK SHOWN THEREON. THE COMPANY SHALL BE RESPONSIBLE FOR THE DESIGN AND CONSTRUCTION OF THE WORK SHOWN ON THE ORDER NOTED ABOVE. A UNIT OF SIMILAR DESIGN MAY BE SUPPLIED, BUT ONLY AFTER APPROVAL BY THE CUSTOMER IN WRITING. ON POLE ORDERS AN ANCHOR BOLT TEMPLATE PRINT WILL BE SUPPLIED. THIS PRINT IS THE PROPERTY OF HOLOPHANE AND IS LOANED SUBJECT TO RETURN UPON DEMAND AND UPON EXPRESS CONDITION THAT IT WILL NOT BE USED DIRECTLY OR INDIRECTLY IN CONNECTION WITH MATERIAL FURNISHED BY HOLOPHANE.

ORDER #:  
 TYPE: ACH  
 DRAWN: ACH  
 DATE: 03/22/11  
 DWG #: POL\_HLA  
 2 of 3





HAMILTON™  
Aluminum Pole

Architectural  
Outdoor

**HOLOPHANE®**  
LEADER IN LIGHTING SOLUTIONS  
An Acuity Brands Company  
© 2010 Acuity Brands Lighting, Inc., All Rights Reserved

THIS DRAWING, WHEN APPROVED, SHALL BECOME THE COMPLETE SPECIFICATION FOR THE MATERIAL TO BE FURNISHED BY HOLOPHANE ON THE ORDER NOTED ABOVE. A UNIT OF SIMILAR DESIGN MAY BE ORDERED WITHOUT THE NECESSITY OF THIS ORDERING. THE DRAWING WILL BE SUPPLIED WITH EACH ANCHOR BOLT ORDER TO MATCH THE POLE PROVIDED. THIS PRINT IS THE PROPERTY OF HOLOPHANE AND IS LOANED TO THE USER FOR THE USER'S USE ONLY. IT IS THE USER'S RESPONSIBILITY TO RETURN THE DRAWING TO HOLOPHANE IN ANY WAY DETRIMENTAL TO OUR INTERESTS, AND ONLY IN CONNECTION WITH MATERIAL FURNISHED BY HOLOPHANE.

ORDER #:

TYPE:

DRAWN: ACH

DATE: 03/22/11

DWG #: POL\_HLA

3 of 3